



Behlen Curvets

Behlen Curvet buildings go up fast. You get **89% more steel in the walls** than in a typical building with 26 gauge sheeting. This adds up to extra durability and longer building life. Strong sidewalls allow potatoes to be stored within 5 feet of the top of the building - without the use of tie rods or braces.



AD-17059P 8.12



*Good Iron. GREAT Experience!*TM

Behlen Curvet Potato and Onion Storage

Tailored to Fit Your Operation

Flexibility in both capacity and investment

Three widths to choose from to accommodate your handling equipment

- 51 feet •60 feet •68 feet

Heavy gauge steel walls and roof

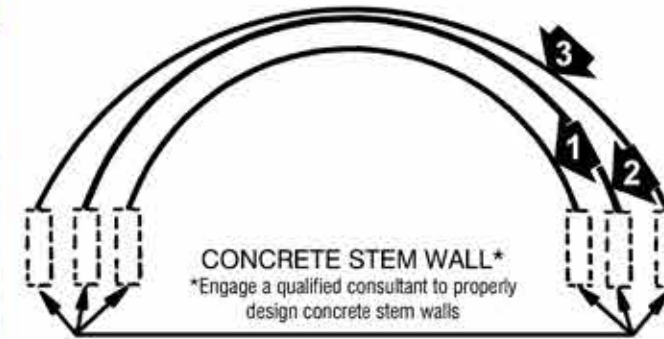
Frameless supports drastically reduce interior surface area allowing greater airflow.

The Behlen Curvet® can be erected on a concrete stem wall.

- Concrete provides greater durability
- Recessed plenums can be created
- PVC roof (weather tight)

Energy Efficient

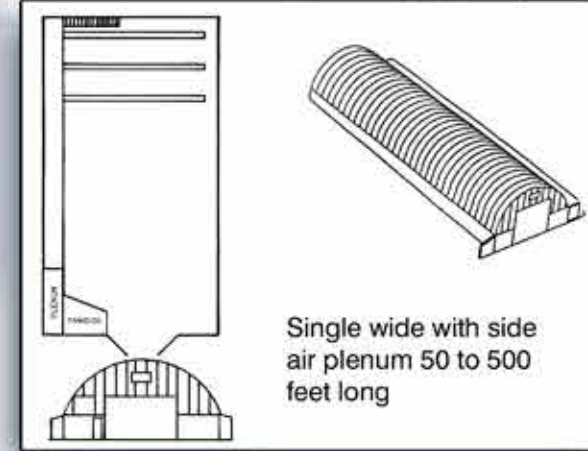
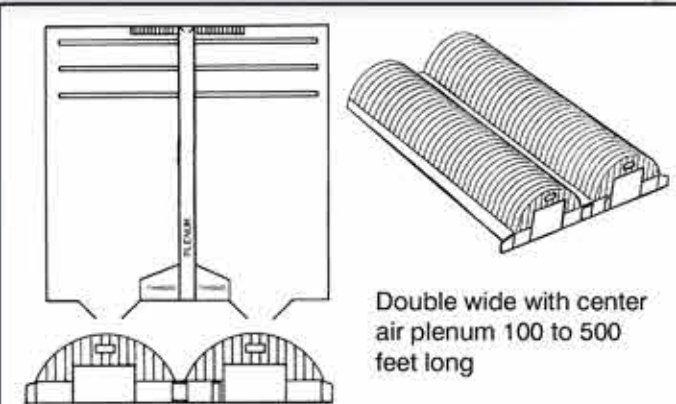
- Interior space is adaptable for air circulation equipment.
- Reflective, white color-coated exteriors save electricity and keep potatoes cooler.
- The surface temperature of panels can be 40° F cooler than galvanized panels under direct sunlight.
- Farmers in Eastern Idaho and the Alamosa, Colorado area have held potatoes until late July without using refrigeration units.



	Width	Height	Height on Wall
1	51'	17'-3"	25'-3" on 8' Wall
2	60'	20'-0"	28'-0" on 8' Wall
3	68'	23'-0"	31'-0" on 8' Wall



All panels are fastened together with plated 3/8" diameter bolts that stay tightly secured through heat, cold, or vibration.



Weather Tight
Mastic between all panel joints and foam sealer at the base provide a protective barrier against moisture and wind. Interior space can be environmentally controlled.



Attention to Detail
Panel connections, footings, and sealers are designed for tight fit and long life. All panels are fastened together with plated 3/8" diameter bolts.

