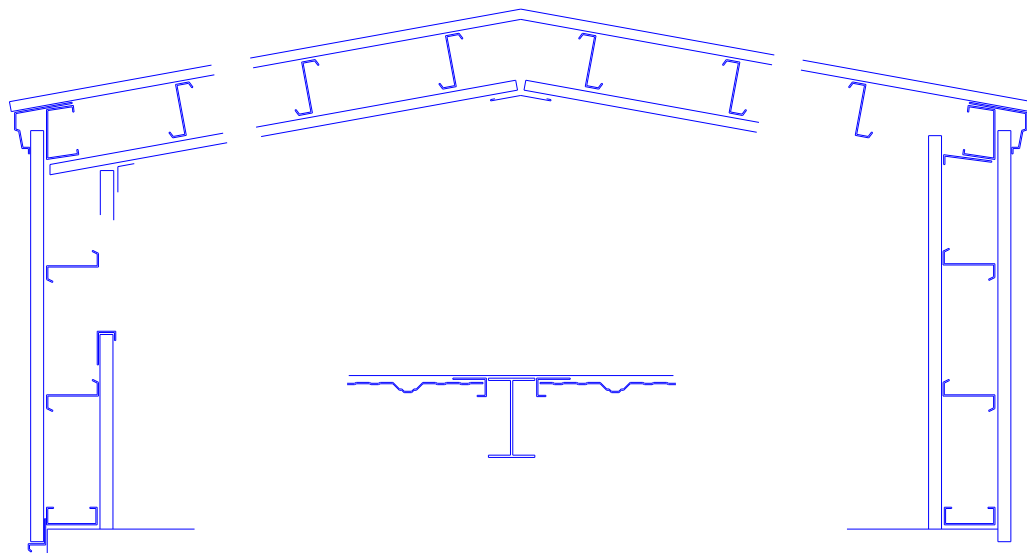


ADP-1 LINER PANEL

ERECTION GUIDE

BEHLEN
4025 E. 23rd St. • Box 569
Columbus, Nebraska 68601



NOTE: See back side of cover for latest changes to this manual.

FRAME BUILDING LINER TABLE OF CONTENTS

<u>TITLE OR DESCRIPTION</u>	<u>PAGE NUMBER</u>
General Information.....	2-5
Liner at Base	6
Liner at Girts	7
Liner at Eave Struts	8
Liner at Rake	9
At Columns By-Pass Girts	10
At Corners By-Pass Sidewall/Endwall Girts	11 & 12
At Columns – 1” Projection – Flush Girts	13
At Columns – 0” Projection – Flush Girts	14
At Corners Flush Girt.....	15, 16, & 17
Liner At Ceiling	18, 19 & 20
Liner At Self-Framing Window.....	21
Liner At Preassembled Window	22
Liner At Knocked-Down Door	23
Liner At Preassembled Door	24
Liner At Walk Door Rough Frame	25
Liner At Framed Opening	26 & 27
Liner At Framed Opening With Sill	28 & 29

GENERAL INFORMATION

The erection information presented herein is provided as a supplement to the erection drawings prepared for your specific job. The information, illustrations and procedures in this guide are typical for most Behlen buildings. Variations may occur because of special building requirements. Always refer to the erection drawings supplied with each job which will govern specific part and assembly arrangements and applicable illustration details. Because Behlen products are constantly being improved, the information contained herein is subject to change without notice.

The following fastener schedule is to be used with this erection guide and will correspond to the fastener schedule in the erection drawings supplied with each job.

FASTENER SCHEDULE		
Loc.	Part No.	Description
①		As Noted On Rigid-Frame Elevation
②	3228100	Screw ¼ x ¾ FL-TP SD WW
③	3228084	Screw 12 x 1 HWH SD NW
④	3228101	Screw 12 x 1-1/4 FL-TP SD WW
⑤	3228105	Screw ¼ x 1-1/4 LG-LF SD WW
⑥	3228099	Screw 8 x ½ HWH SD NW
⑦		
⑧	3188333	Bolt ½ x 2 HVHX A325 GALV and Nut (1328191)
⑨	1328199	Bolt 5/8 x 2-1/4 HVHX A325T GALV and Nut (1328195)
⑩	1328187	Bolt ¾ x 1-1/2 HVHX A325T GALV and Nut (1328192)
⑪	1328190	Bolt ¾ x 2-1/2 HVHX A325T GALV and Nut (1328192)
⑫	3228100	Screw ¼ x ¾ FL-TP SD WW for ADP-1 Roof
	3228103	Screw ¼ x ¾ LG-LF SD WW for SSR
⑬	3228101	Screw 12 x 1-1/4 FL-TP SD WW for ADP-1 Roof
	3228105	Screw ¼ x 1-1/4 LG-LF SD WW for SSR
⑭	3228087	Screw 12 x 1-1/4 HWH SD #5PT NW
⑮	1328193	Bolt ½ x 1-1/2 HVHX A325T GALV and Nut (1328191)
⑯	3208170	Bolt ½ x 1 FLT RD HD A307 PLTD and Nut (2688007)
⑰	3228102	Screw 12 x 2 FL-TP SD WW

Abbreviations

HD = Head
 SD = Self-Drilling
 ST = Self-Tapping
 SS = Stainless Steel
 PT = Point
 RD = Round
 WW = With Washer
 NW = No Washer
 FLT = Flat
 HVHX = Heavy Hex
 GALV = Galvanized
 PLTD = Plated
 HWH = Hex Washer Head
 FL-TP = Flat Top
 LG-LF = Long Life

ERECTION INFORMATION

Liner panel sidelaps shall be stitched together with a ② fastener at 24" centers.

GENERAL INFORMATION



STOP . . . PLEASE READ

RECOMMENDED INSTALLATION FOR SELF-DRILLING TAPPING FASTENERS TO INSURE FASTENER PERFORMANCE.

* Apply with 1800 RPM electric screw gun.

* Drive socket size must fit appropriately to fastener head.

Socket Types:

1. **Super Star Socket** - Used for long-life non-magnetic screw heads. Can be used with carbon screw to avoid drill chips collecting on magnetic sockets.

Inland Part No. - 1/4" (3518045) 5/16" (3518046) 3/8" (3518047)

2. **Non-magnetic** - Used by erectors on roofing applications, mainly to avoid drill chips collecting in sockets.

Special Order - 1/4" 5/16" 3/8"

Drilling/Driving fastener must be held perpendicular to the fastening surface.

Self-Drilling fasteners should not be forced in. Allow the drill point to do the work.

- CAUTION -

Over-torquing may result in fastener separation/failure (head popping off).

Care should be exercised during installation.

Torque of 30-60 in. lbs. Based on fastener size and application.

FOR APPLICATION SUPPORT, CONTACT:
ATLAS BOLT & SCREW TECHNICAL SERVICES (800) 321-6977
Inland Buildings (800) 438-1606

*1800 RPM screw guns and sockets are available at your local tool house or from:

Dynamic Fasteners 1-800-821-5448

GENERAL INFORMATION

HANDLING LONG TRIM COMPONENTS

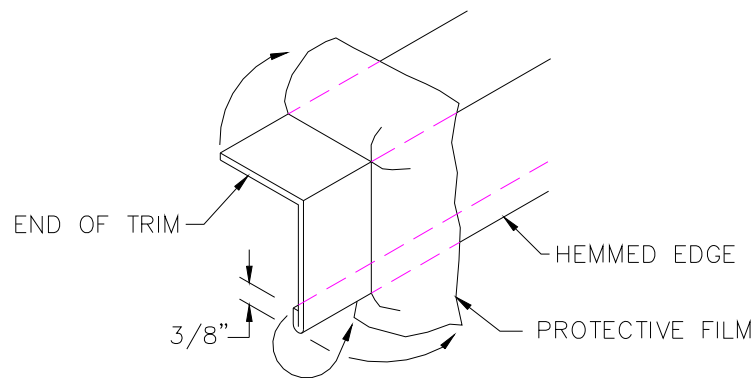
When removing long trims from the shipping crate and during installation, care should be taken by construction workers to avoid damage caused by buckling.

PROTECTIVE FILM REMOVAL

The trim components received with this building have a protective film on the colored surface that must be removed prior to installation.

Prolonged exposure (more than 3 weeks) to rain and/or sunlight will adversely effect the protective film making removal difficult.

When film is being removed from trim having a hem along its edge, the film should be peeled off along the entire end. This includes the 3/8" hemmed area on the back side. Pull the entire film strip at a constant rate. Do NOT try to rip the film off as it will tend to tear at the hemmed edge and corners leaving a strip that will have to be removed separately.

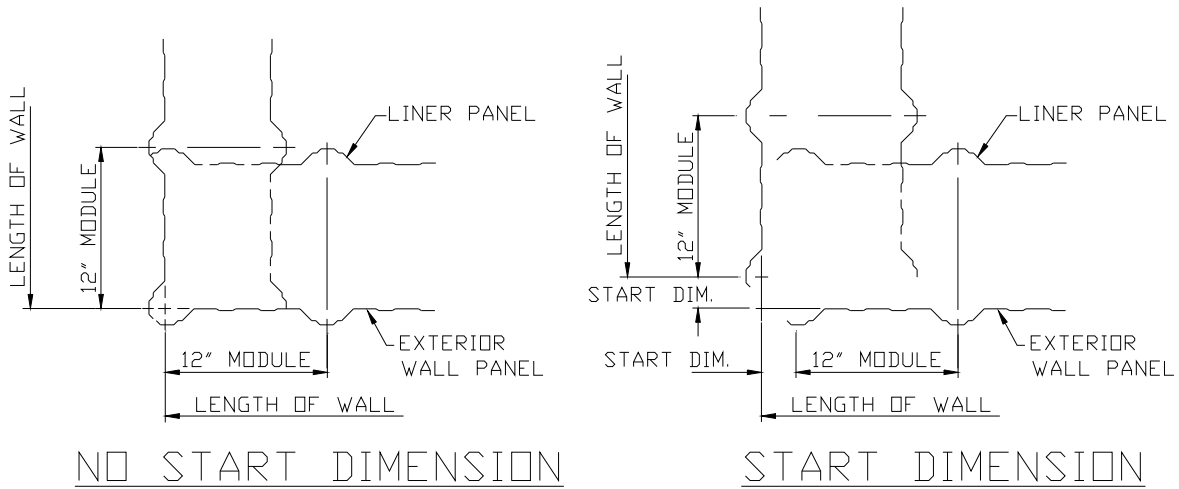


GENERAL INFORMATION

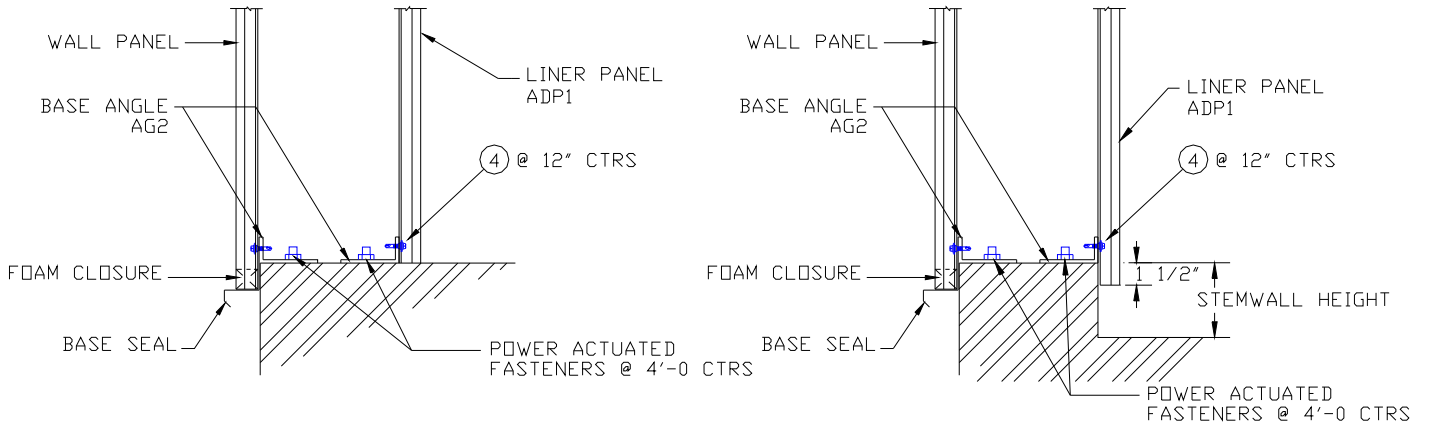
RELATIONSHIP OF LINER PANEL AND EXTERIOR PANEL RIBS

Liner panels for a complete sidewall or endwall surface have been detailed with a process similar to the exterior wall panels. The location of the liner panels is based on the length of the exterior wall surface and whether there is a "Start Dimension" at each end of the wall surface. This detailing process will keep the liner panel ribs and the exterior panel ribs in line.

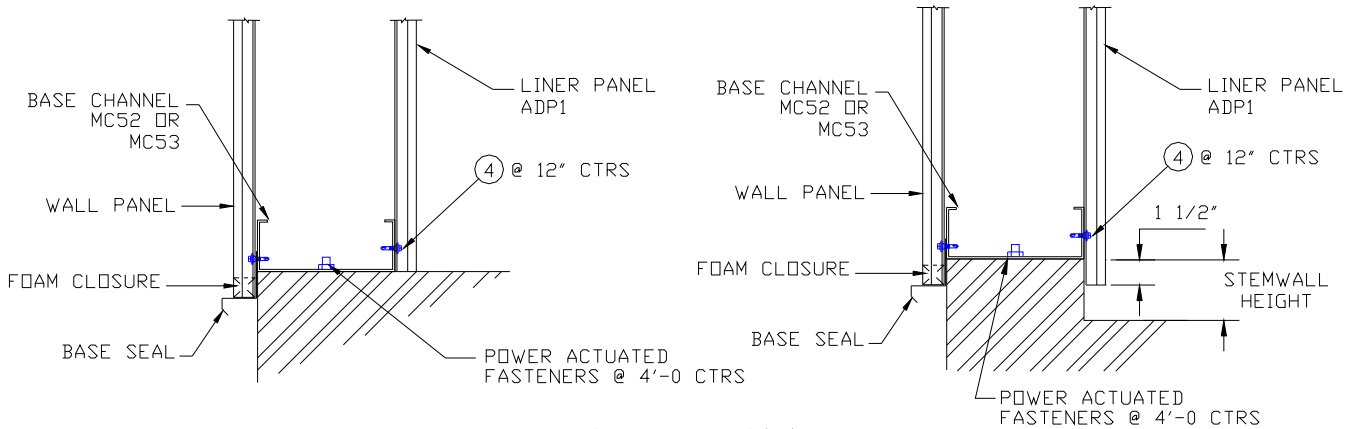
During the erection process, the sidewall liner panel locations may start or stop at J-trims as desired but on the endwall surface, the liner panel length may be insufficient if moved to some other location.



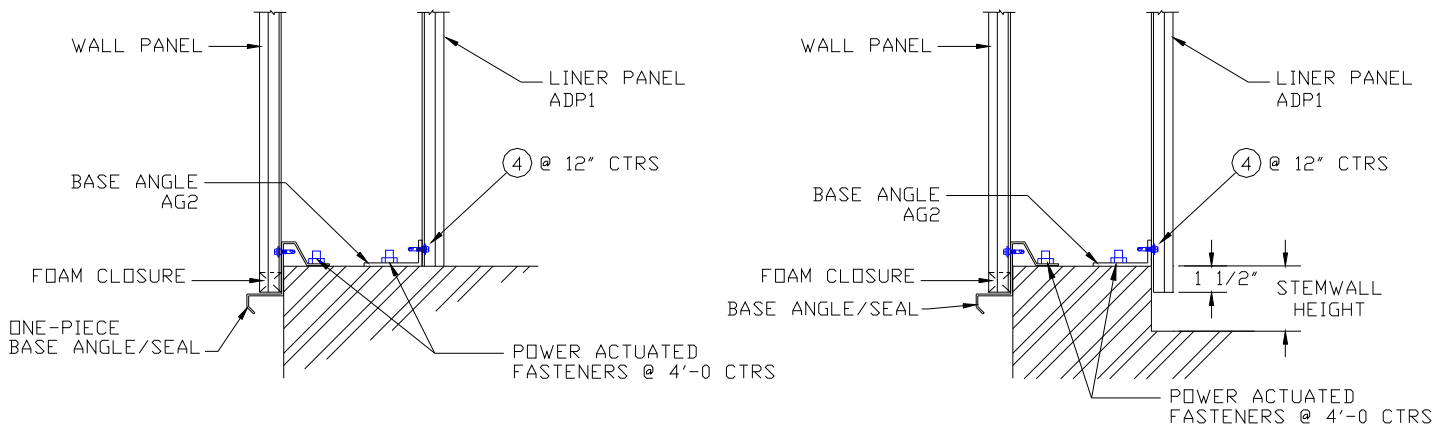
LINER AT BASE



BASE ANGLES

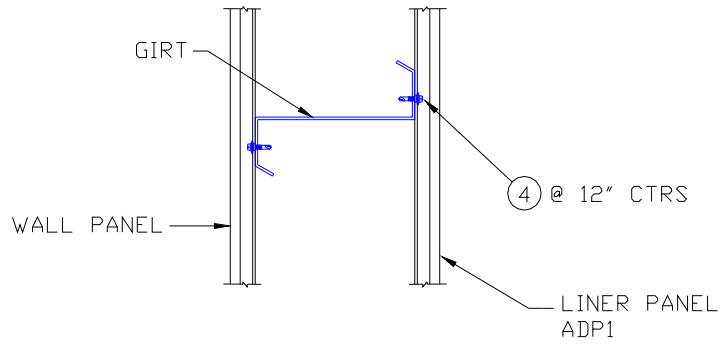


BASE CHANNEL

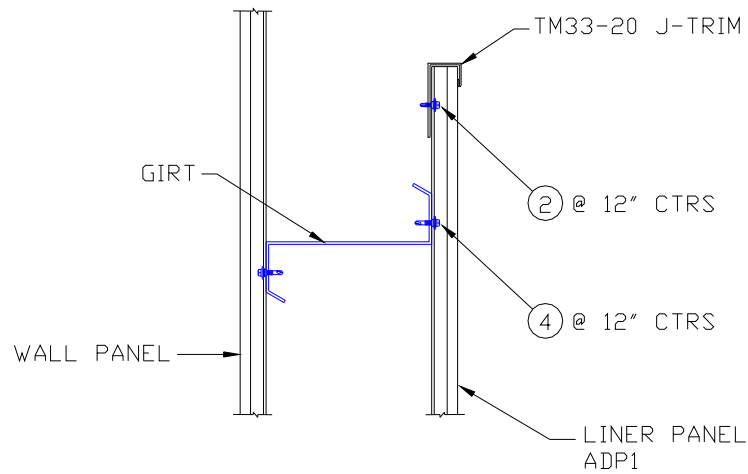


ONE-PIECE BASE ANGLE/SEAL

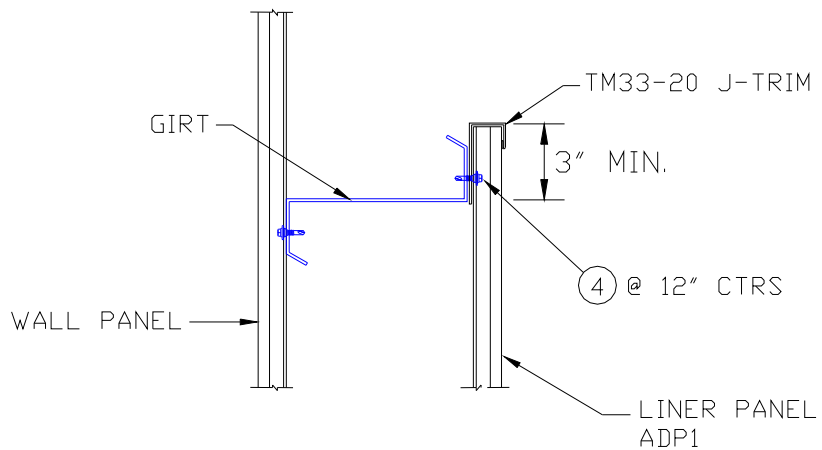
LINER AT GIRTS



AT GIRTS

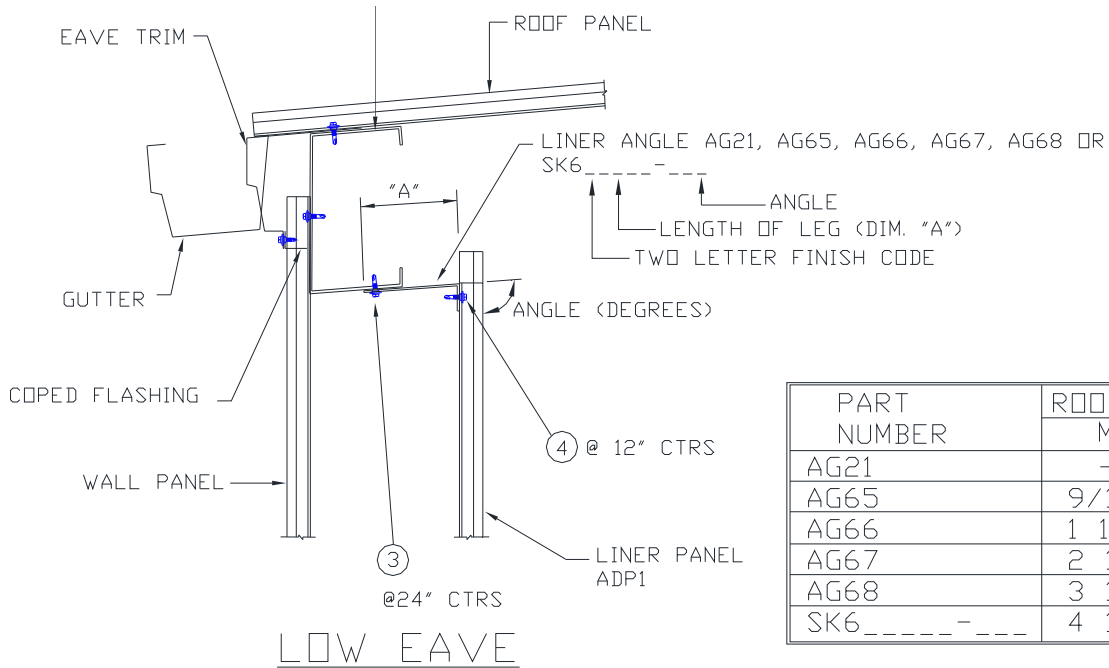


ENDING NEAR A GIRTS

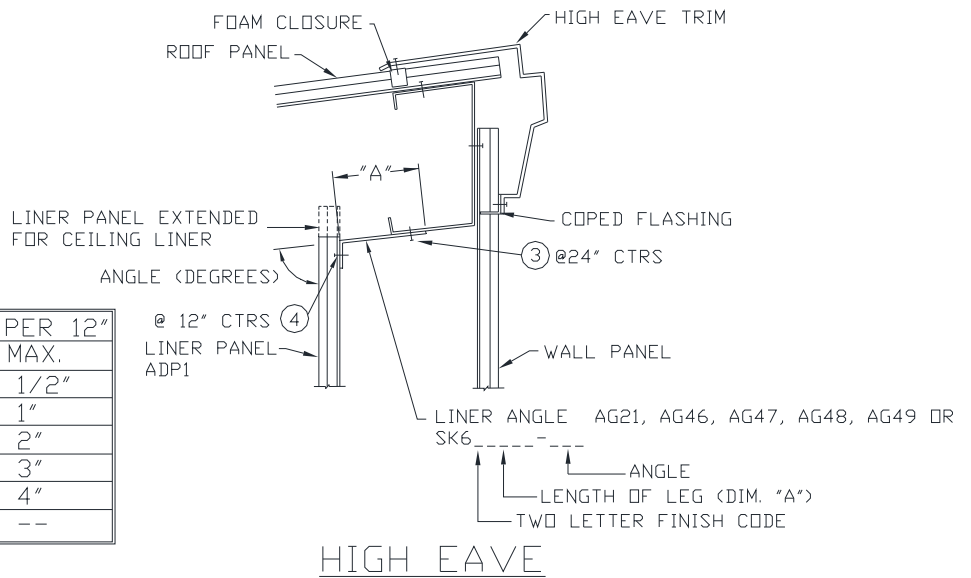


ENDING AT A GIRTS

LINER AT EAVE STRUT

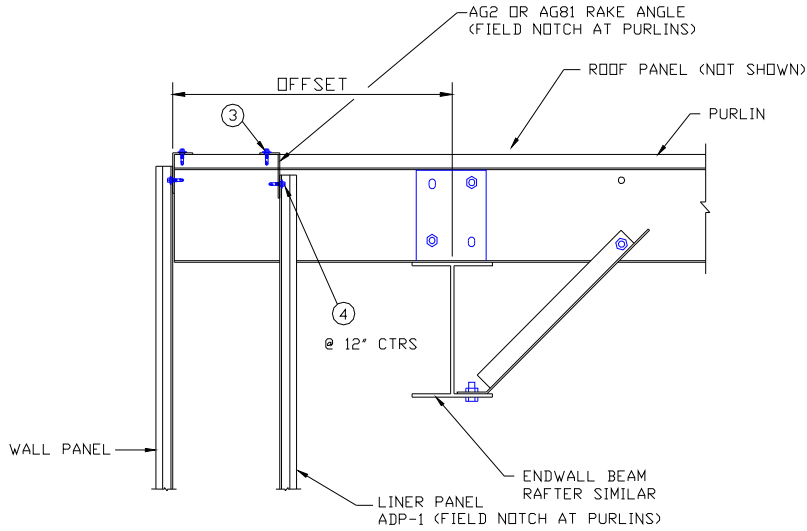


PART NUMBER	ROOF SLOPE PER 12"	
	MIN.	MAX.
AG21	--	1/2"
AG65	9/16"	1"
AG66	1 1/16"	2"
AG67	2 1/16"	3"
AG68	3 1/16"	4"
SK6_ _ _ _ _	4 1/16"	--

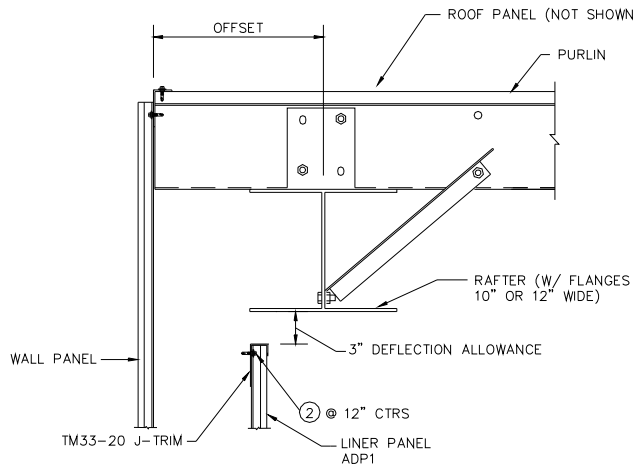


PART NUMBER	ROOF SLOPE PER 12"	
	MIN.	MAX.
AG21	--	1/2"
AG46	9/16"	1"
AG47	1 1/16"	2"
AG48	2 1/16"	3"
AG49	3 1/16"	4"
SK6_ _ _ _ _	4 1/16"	--

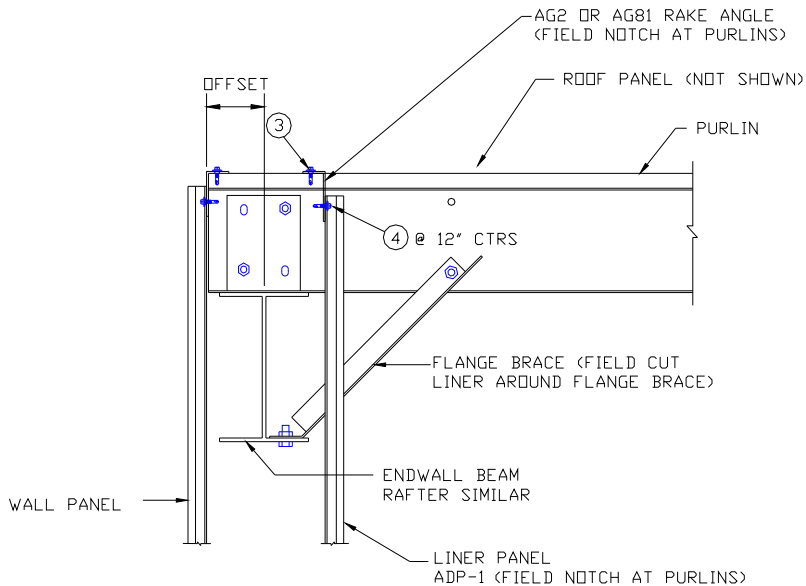
LINER AT RAKE



RAFTER OFFSET OF 1'-0", 1'-2", 1'-4", 1'-5", 2'-0" OR 2'-2"

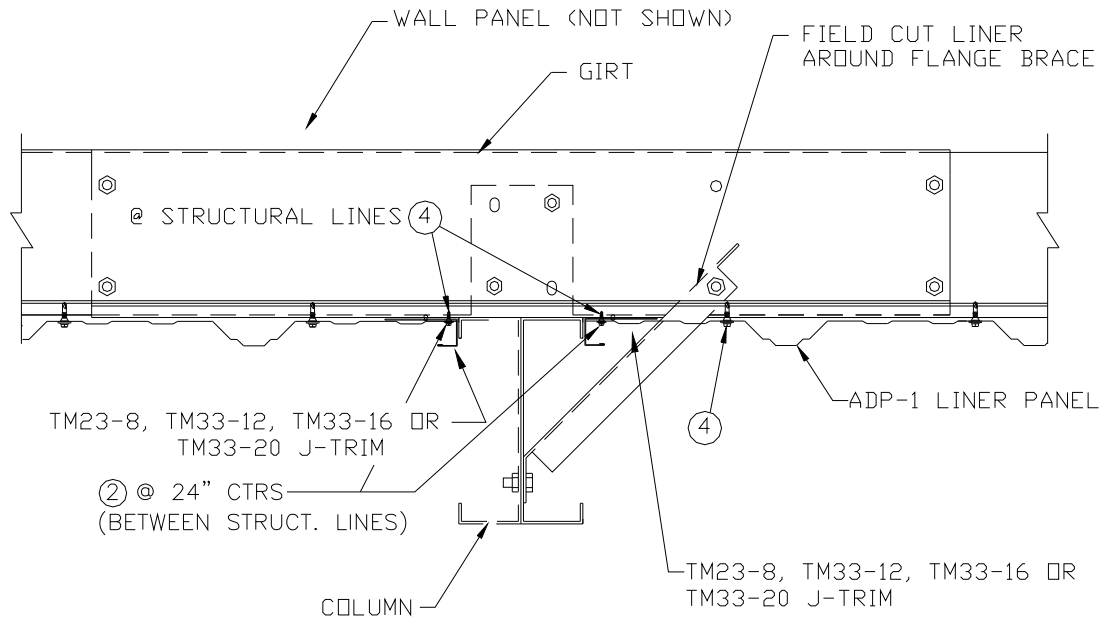


RAFTER OFFSET OF 1'-0" OR 1'-2"
(RAFTER FLANGE WIDTHS OF 10" OR 12")

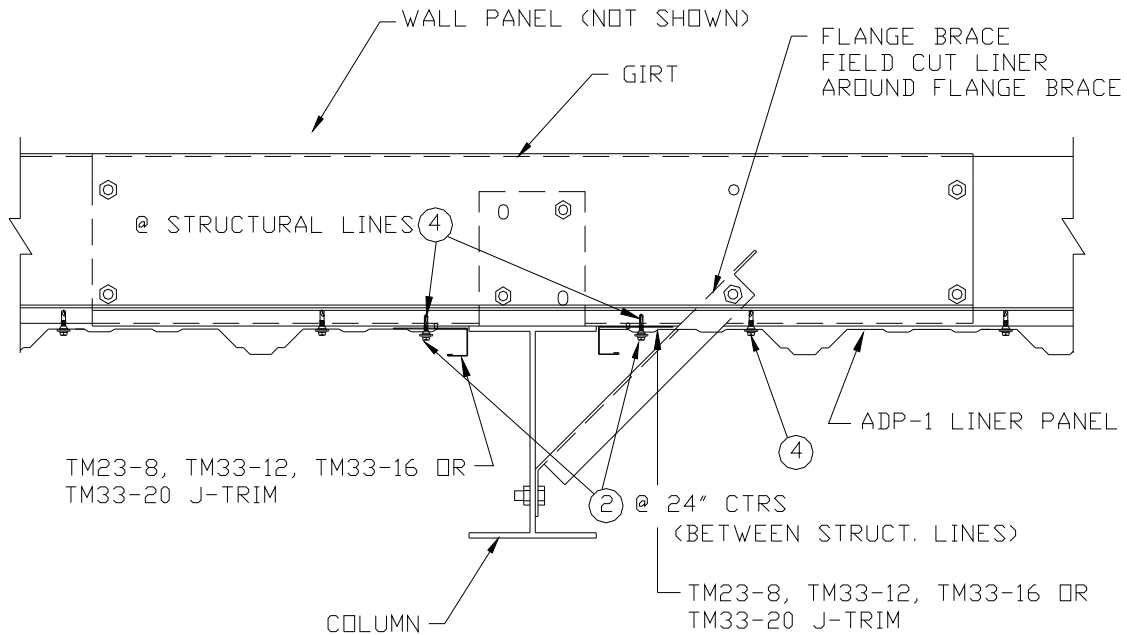


RAFTER OFFSET OF 4" OR 5"

LINER AT COLUMNS – BY-PASS GIRTS

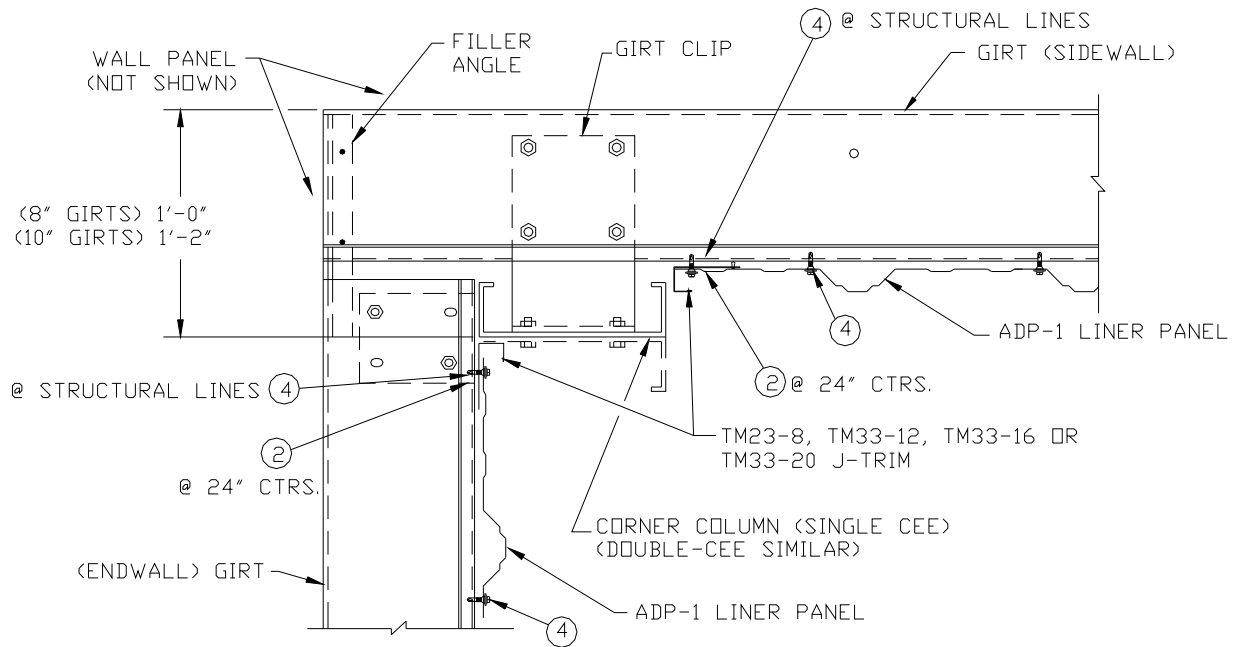


DOUBLE CEE COLUMN (SINGLE CEE IS SIMILAR)



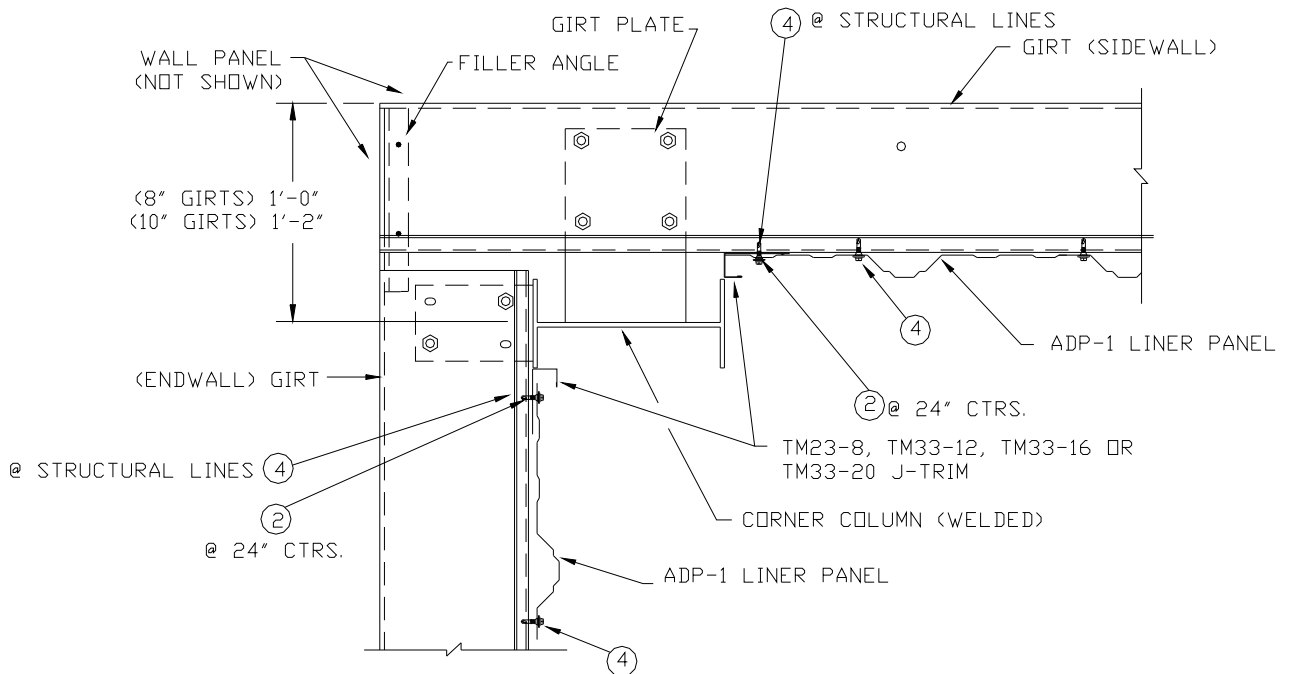
WELDED COLUMN

LINER AT CORNER – BY-PASS SIDEWALL/ENDWALL GIRTS



CORNER COLUMN (SINGLE-CEE OR DOUBLE-CEE)

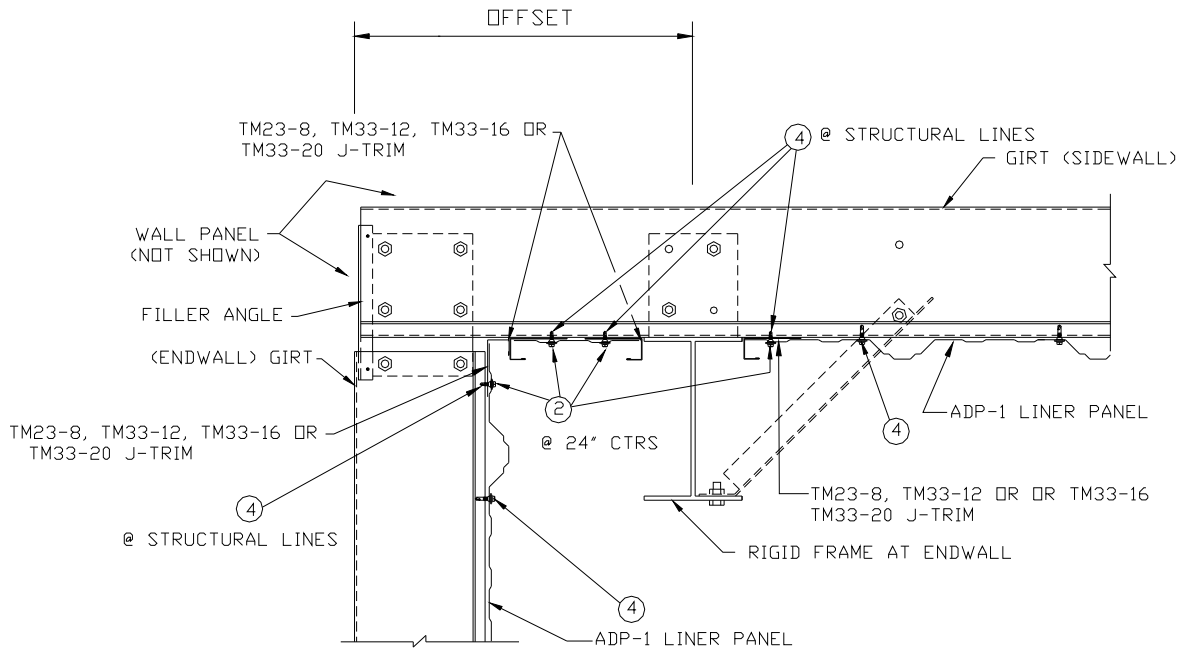
- BY-PASS SIDEWALL GIRT
- BY-PASS ENDWALL GIRT



CORNER COLUMN (WELDED OR DOUBLE-CEE)

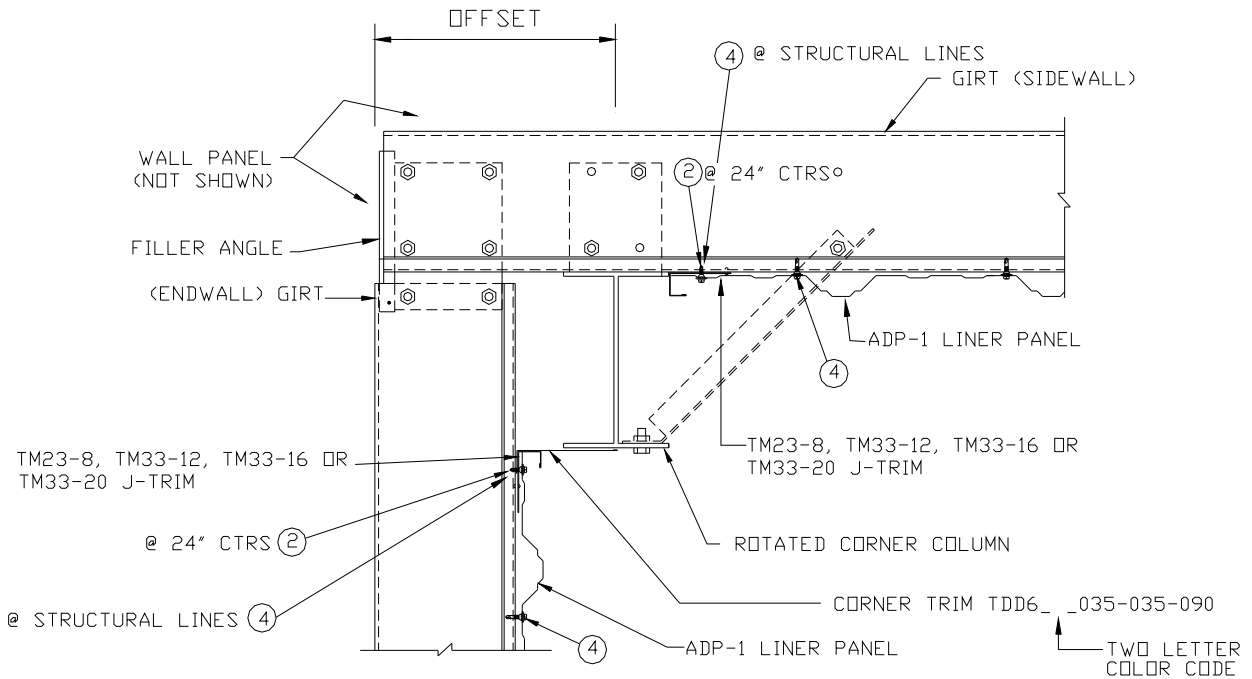
- BY-PASS SIDEWALL GIRT
- BY-PASS ENDWALL GIRT

LINER AT CORNER – BY-PASS SIDEWALL/ENDWALL GIRTS



RIGID FRAME AT ENDWALL W/1'-4" OR MORE OFFSET

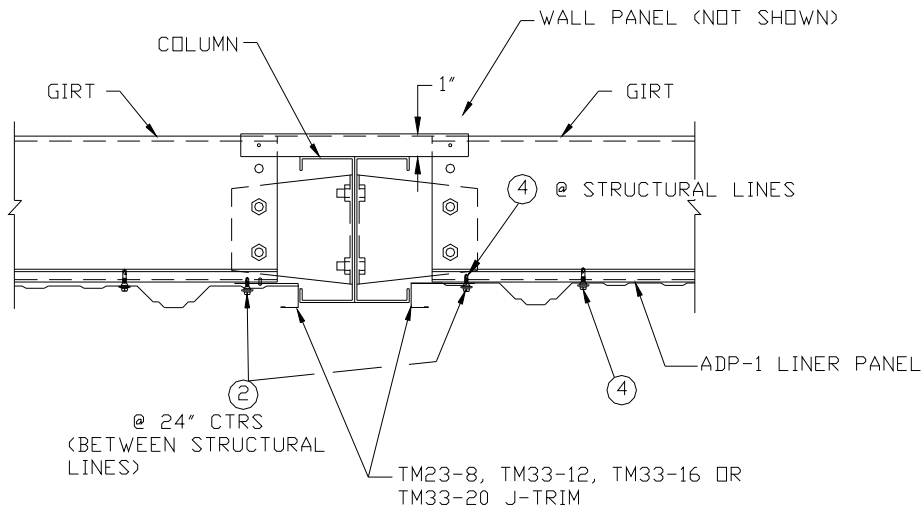
- BY-PASS SIDEWALL GIRTS
- BY-PASS ENDWALL GIRTS



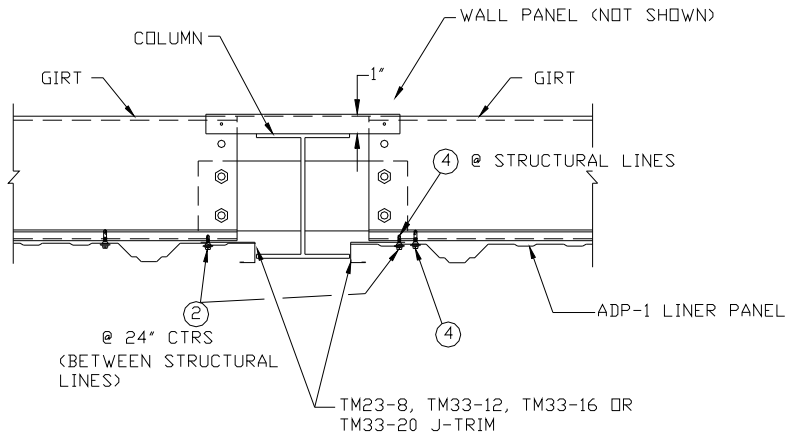
ROTATED CORNER COLUMN W/1'-0" OR 1'-2" OFFSET

- BY-PASS SIDEWALL GIRTS
- BY-PASS ENDWALL GIRTS

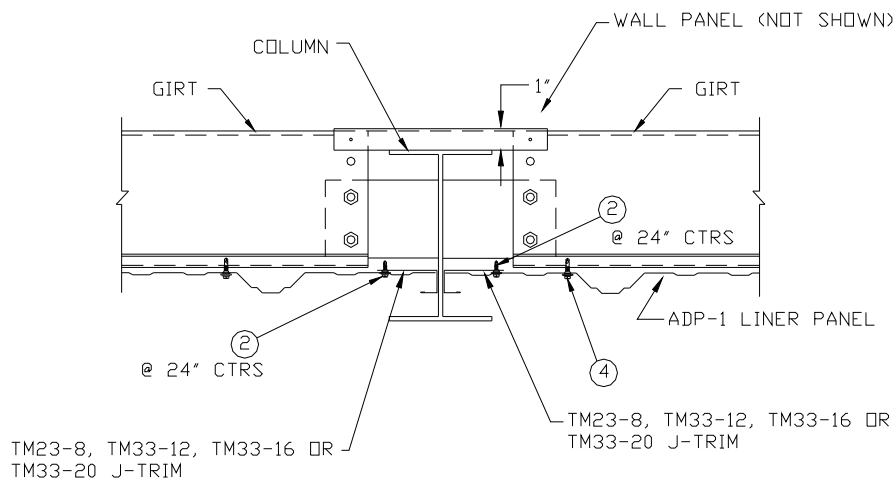
LINER AT COLUMN – 1" PROJECTION – FLUSH GIRTS



DOUBLE CEE COLUMN (SINGLE CEE IS SIMILAR)

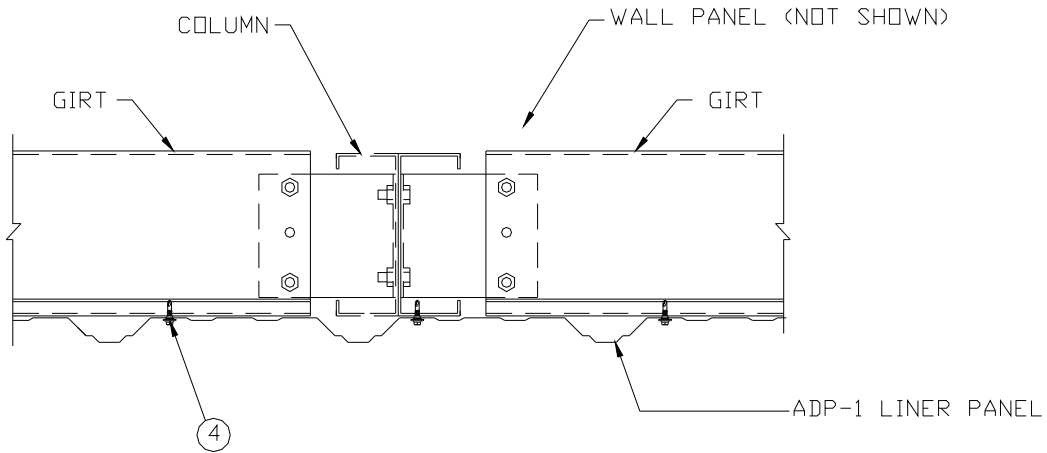


WELDED COLUMN W/DEPTH EQUAL TO GIRT DEPTH

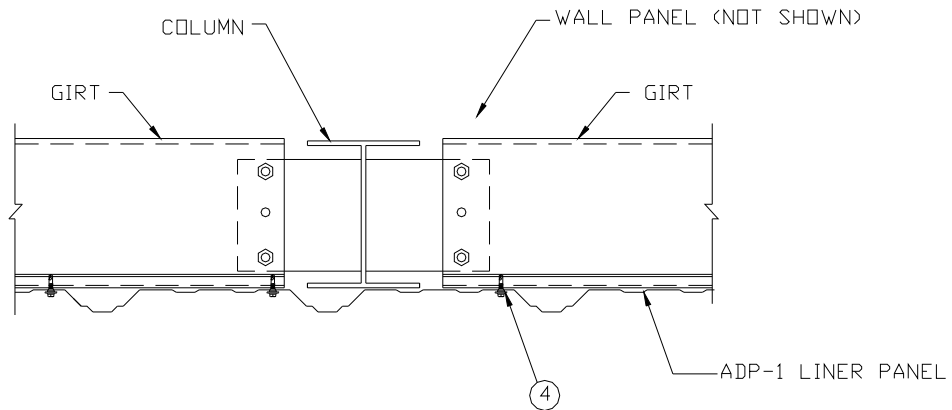


WELDED COLUMN W/DEPTH GREATER THAN GIRT DEPTH

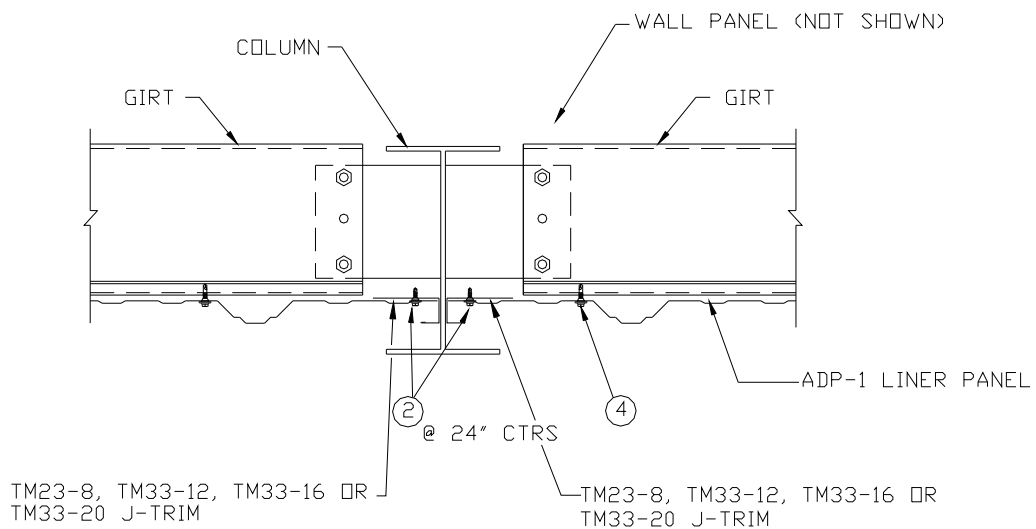
LINER AT COLUMN - 0" PROJECTION - FLUSH GIRTS



SINGLE OR DOUBLE CEE COLUMNS



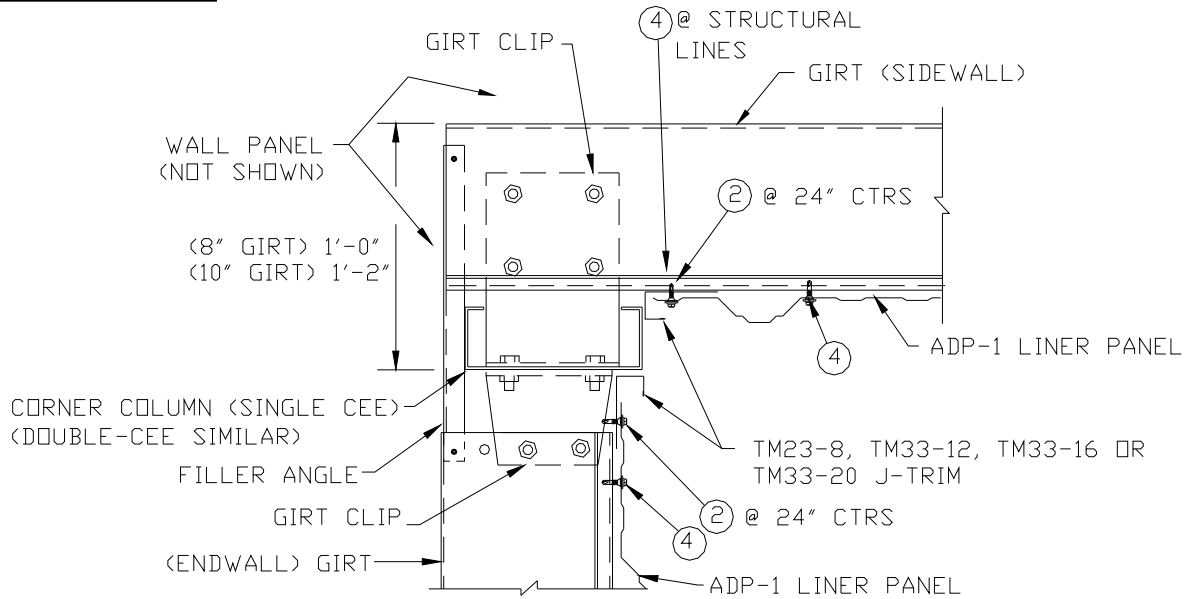
WELDED COLUMN W/DEPTH EQUAL TO GIRTS DEPTH



WELDED COLUMN W/DEPTH GREATER THAN GIRTS DEPTH

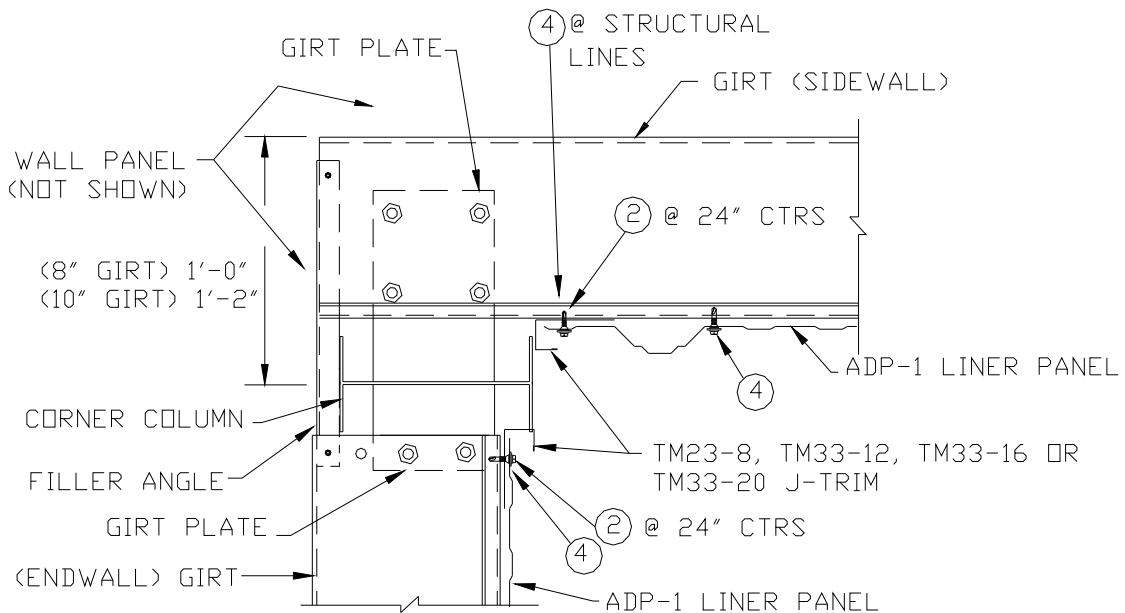
LINER AT CORNER – FLUSH SIDEWALL/ENDWALL GIRTS

1 INCH GIRT PROJECTION



CORNER COLUMN (SINGLE-CEE) (DOUBLE-CEE CORNER COLUMN SIMILAR)

- FLUSH SIDEWALL GIRT
- FLUSH ENDWALL GIRT

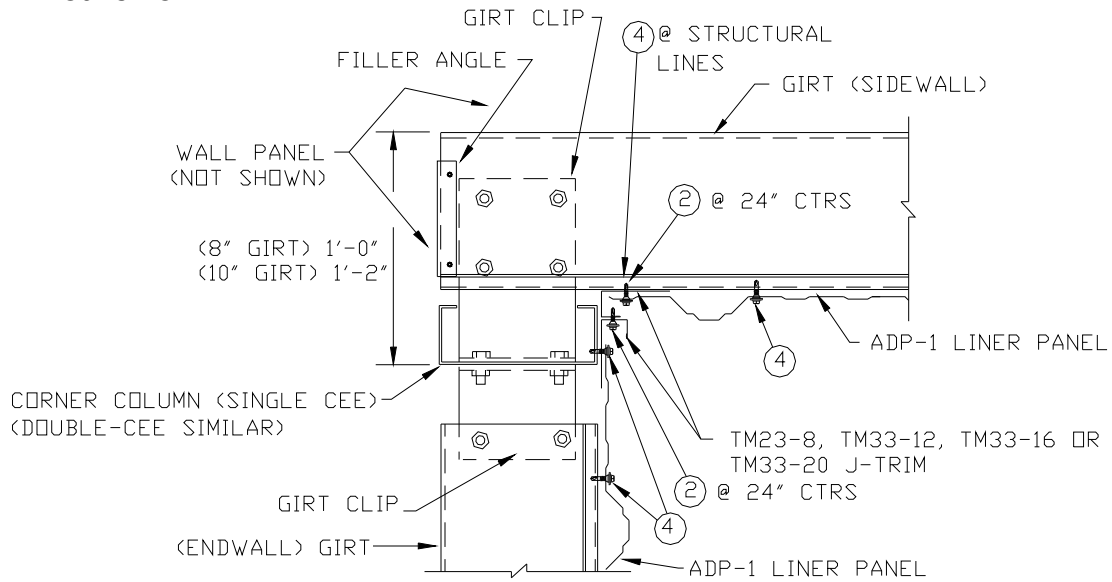


CORNER COLUMN (WELDED)

- FLUSH SIDEWALL GIRT
- FLUSH ENDWALL GIRT

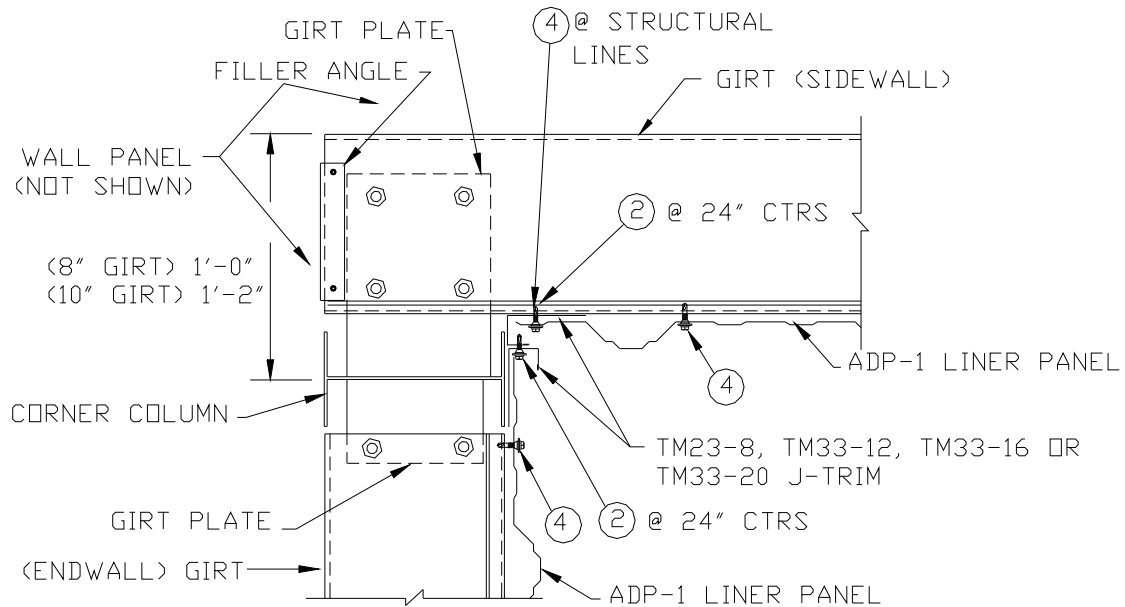
LINER AT CORNER – FLUSH SIDEWALL/ENDWALL GIRTS

0 INCH GIRT PROJECTION



CORNER COLUMN (SINGLE-CEE) (DOUBLE-CEE CORNER COLUMN SIMILAR)

- FLUSH SIDEWALL GIRT
- FLUSH ENDWALL GIRT

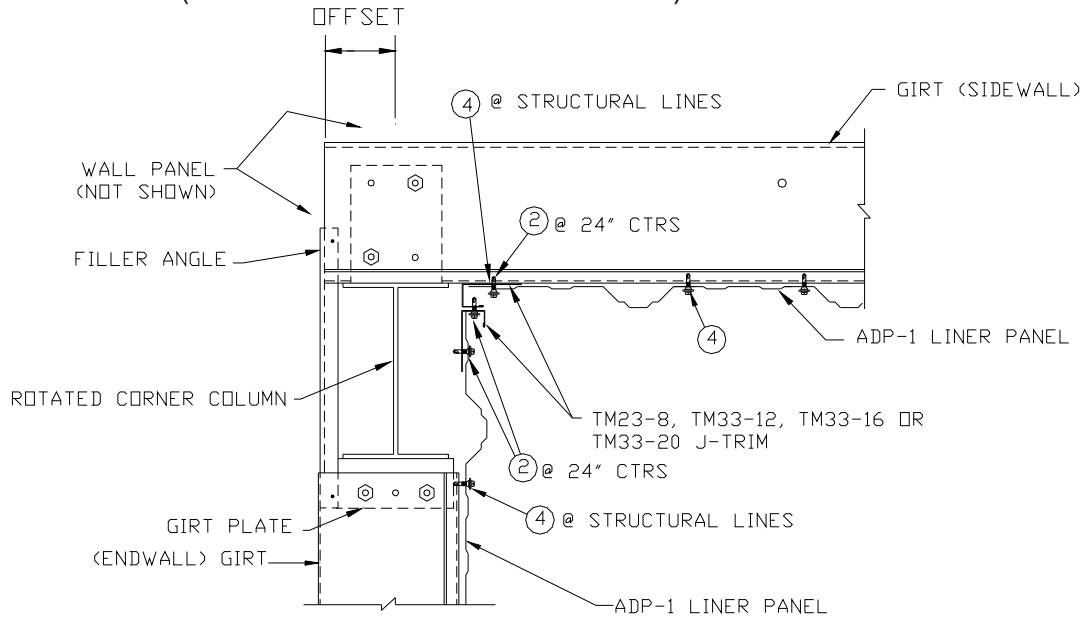


CORNER COLUMN (WELDED)

- FLUSH SIDEWALL GIRT
- FLUSH ENDWALL GIRT

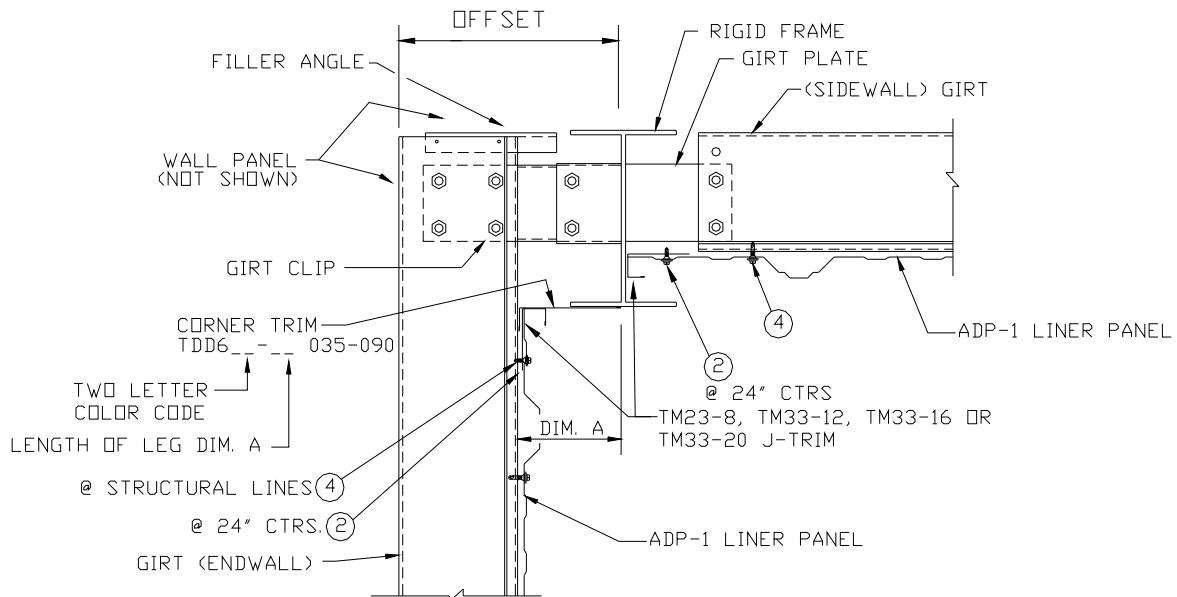
LINER AT CORNER – FLUSH SIDEWALL/ENDWALL GIRTS

0 INCH GIRT PROJECTION (1 INCH GIRT PROJECTION IS SIMILAR)



ROTATED CORNER COLUMN W/4" OR 5" OFFSET

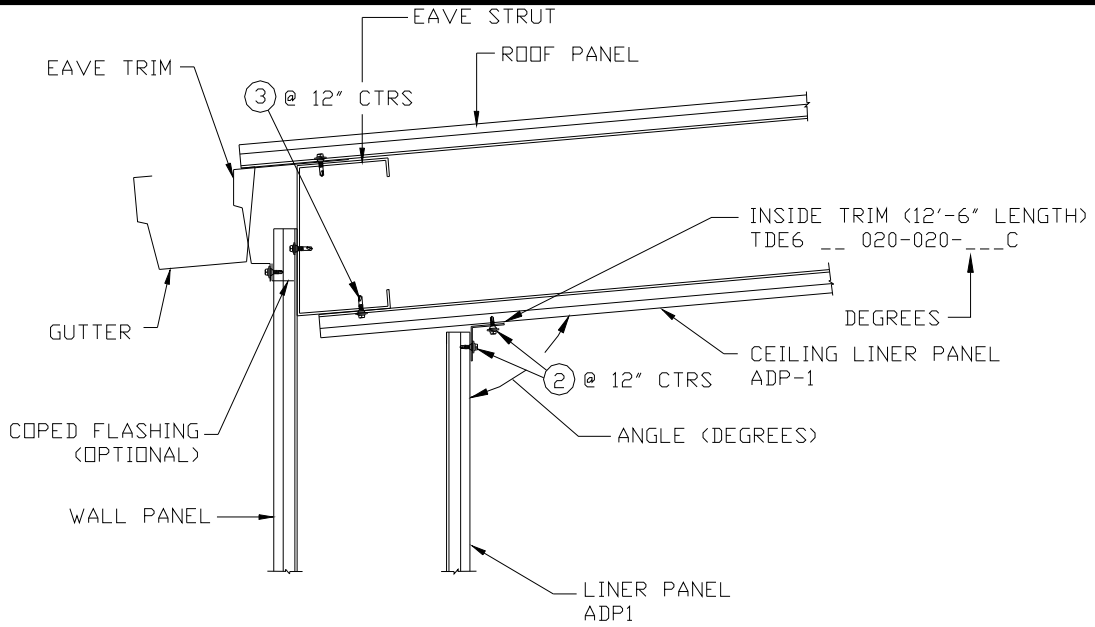
- FLUSH SIDEWALL GIRT
- FLUSH ENDWALL GIRT



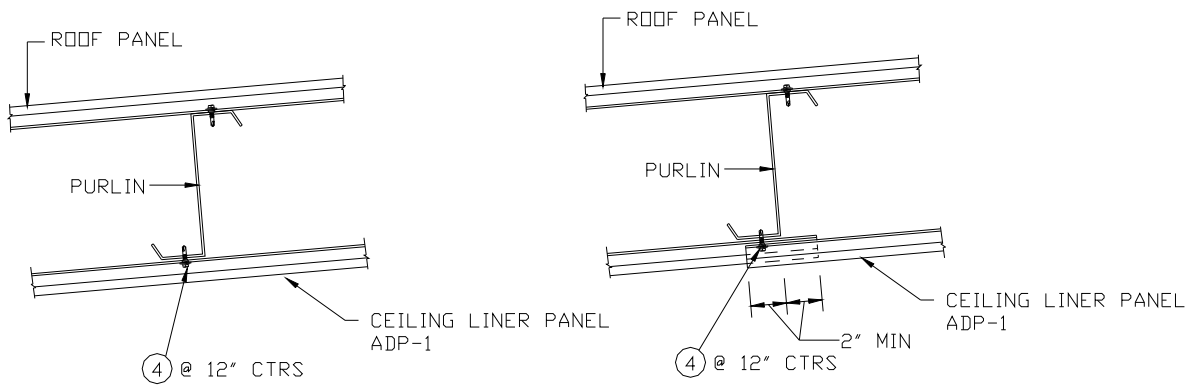
RIGID FRAME AT ENDWALL W/1'-4" OR 1'-5" OFFSET

- FLUSH SIDEWALL GIRT
- FLUSH ENDWALL GIRT

LINER AT CEILING

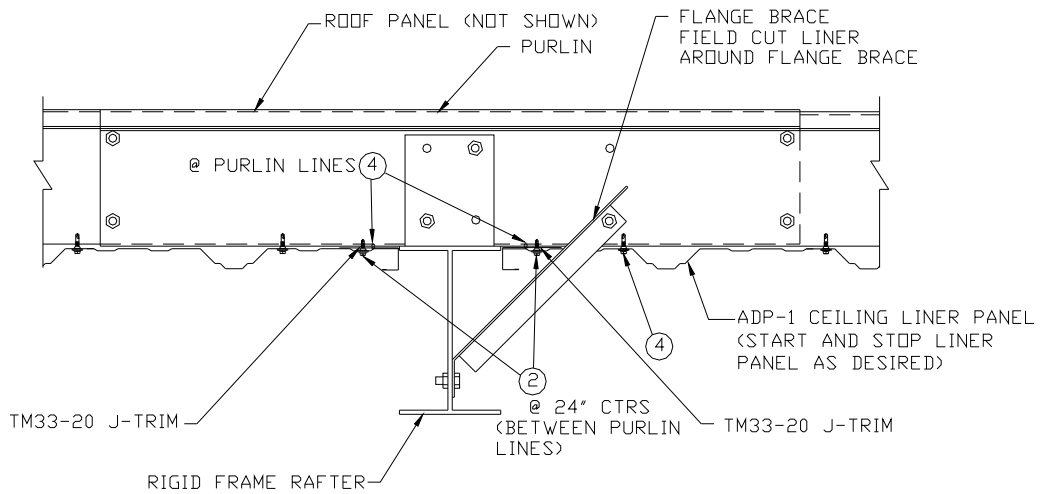


AT EAVE



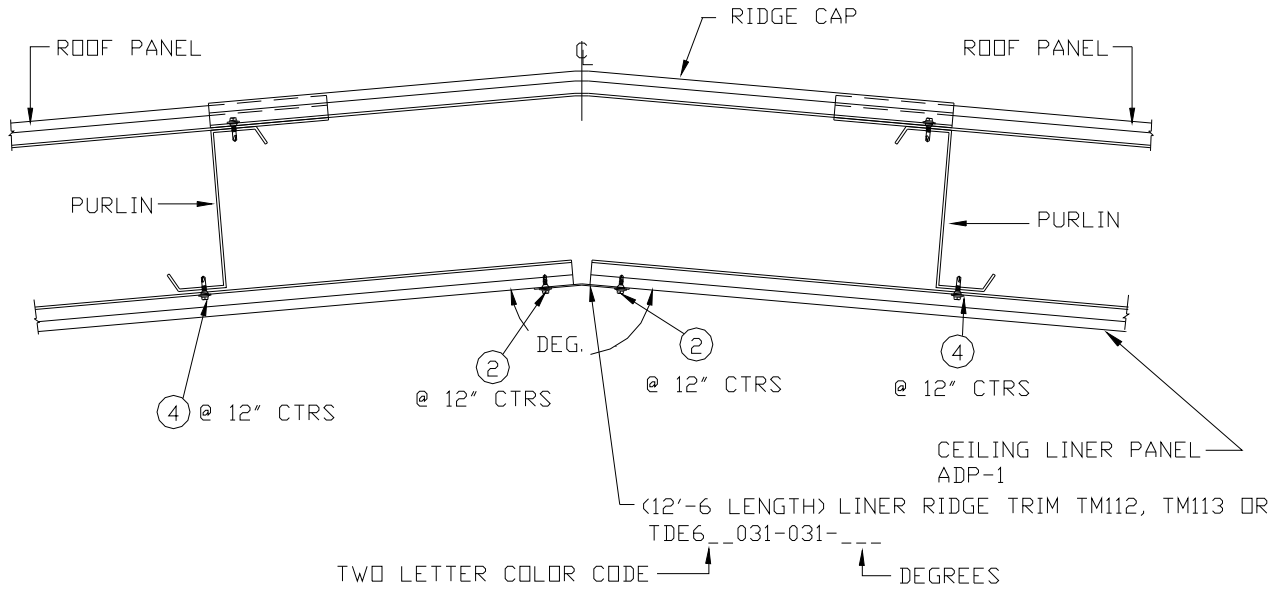
LINER TO PURLIN

LAP OF LINER AT PURLIN

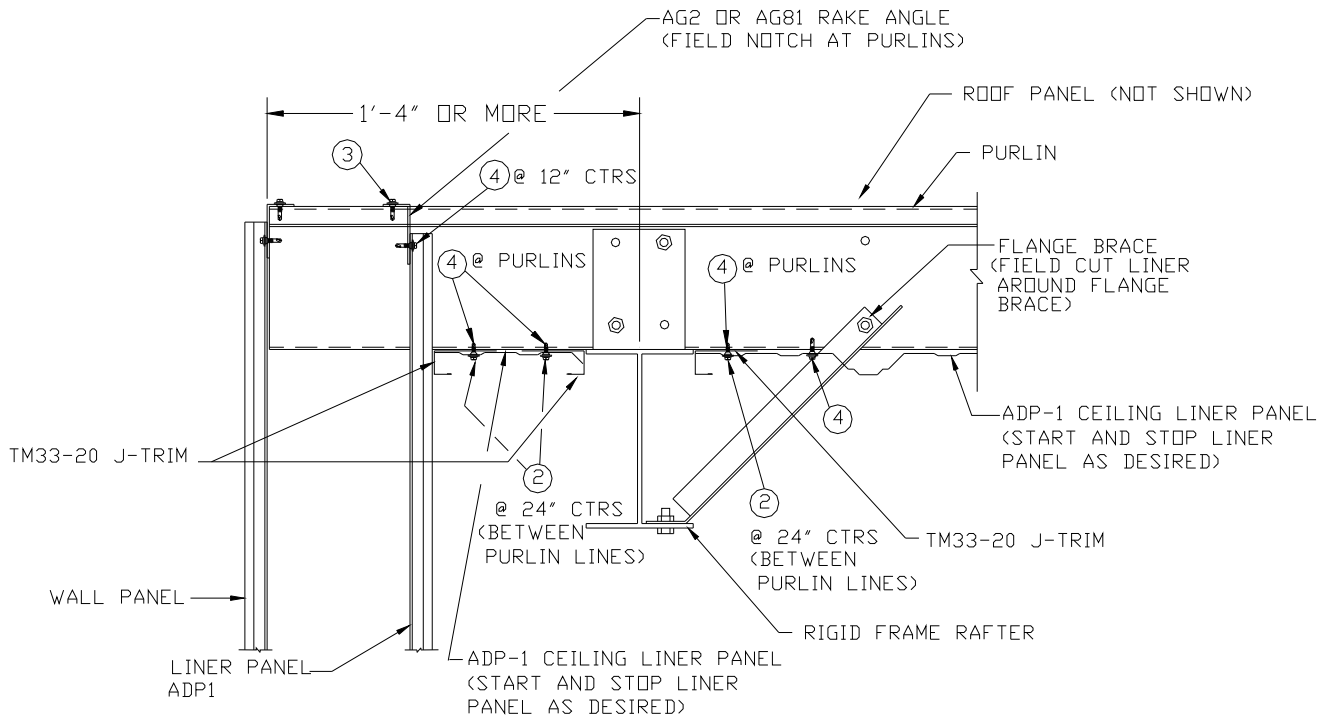


LINER AT RAFTER

LINER AT CEILING

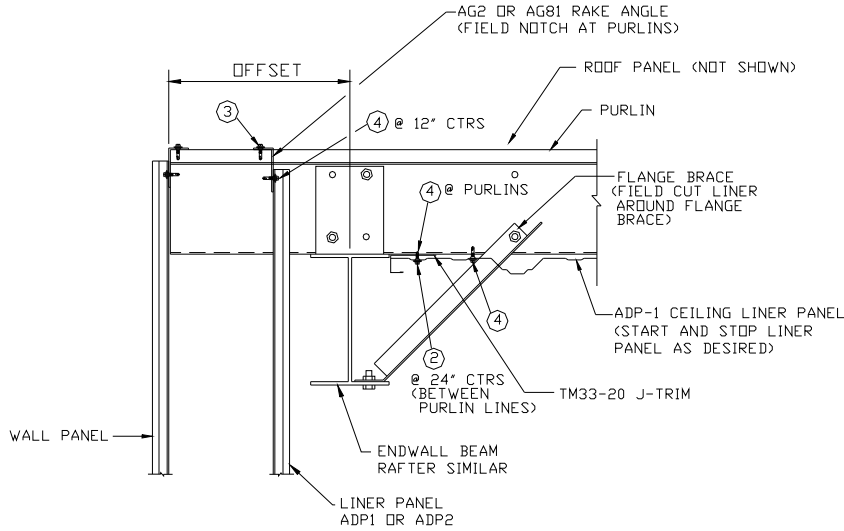


LINER AT RIDGE

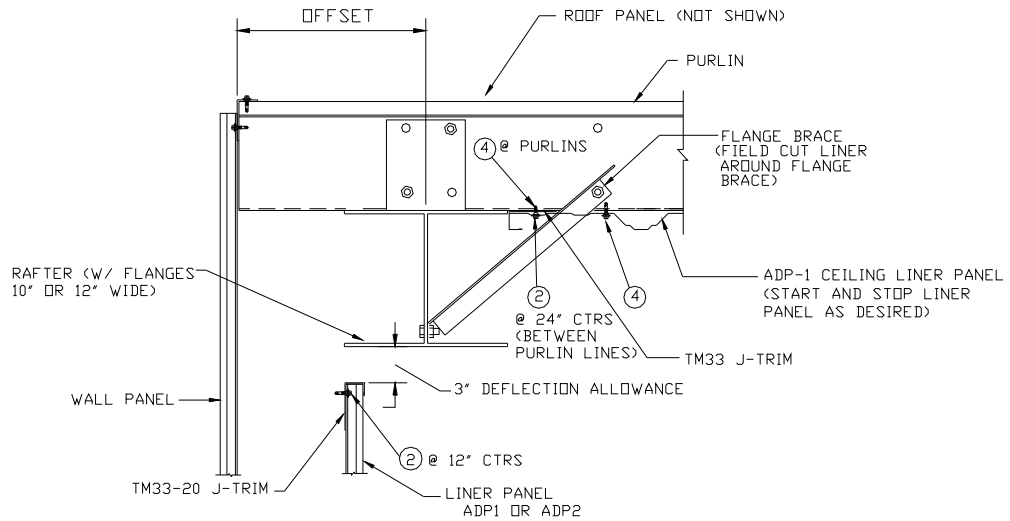


LINER AT RAKE - RAFTER OFFSET OF 1'-4" OR MORE

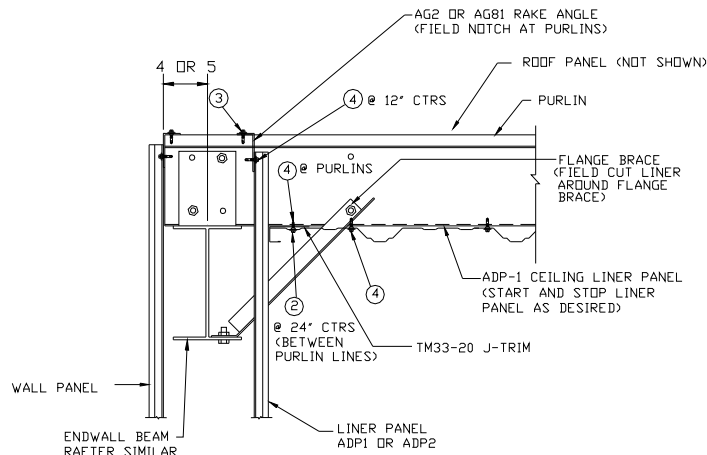
LINER AT CEILING



LINER AT RAKE - RAFTER W/6" MAX. FLANGE WIDTH - OFFSET OF 1'-0" OR 1'-2"

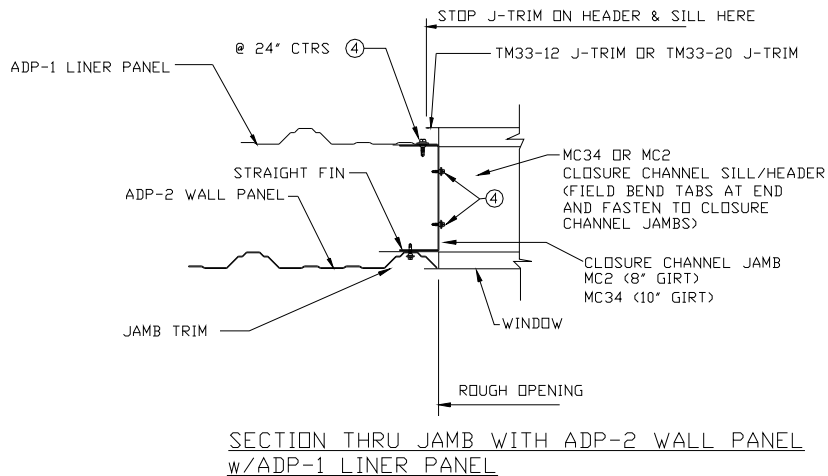
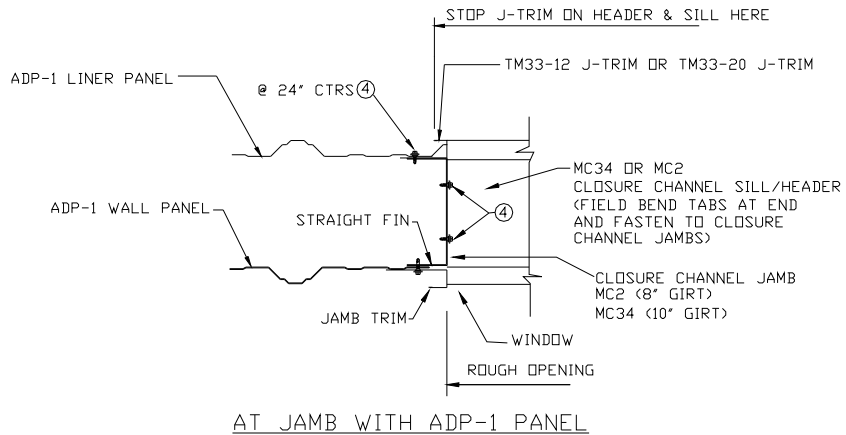
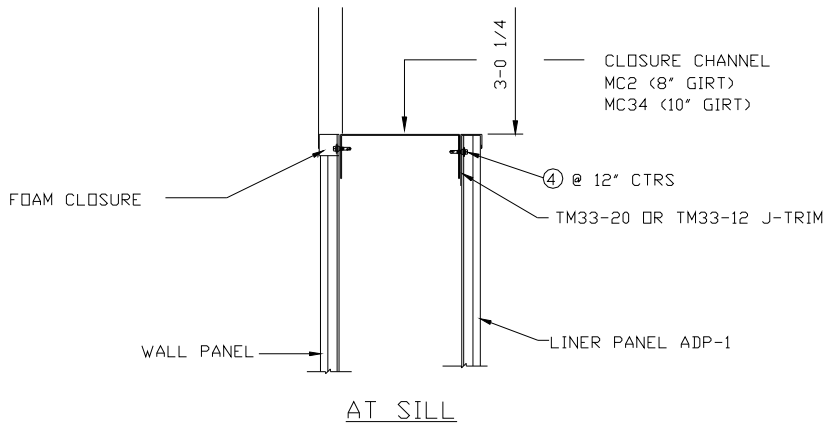
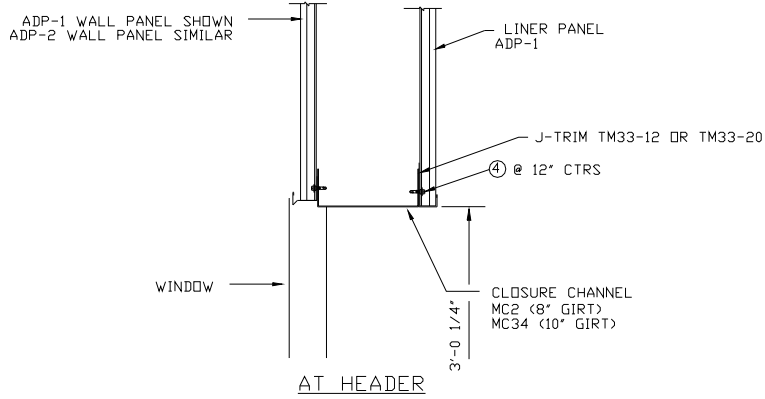


LINER AT RAKE - RAFTER W/8" FLANGE WIDTH - OFFSET OF 1'-0" OR 1'-2"

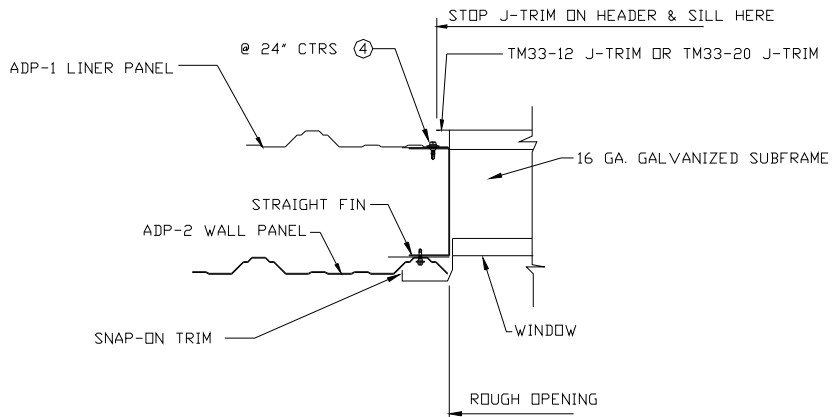
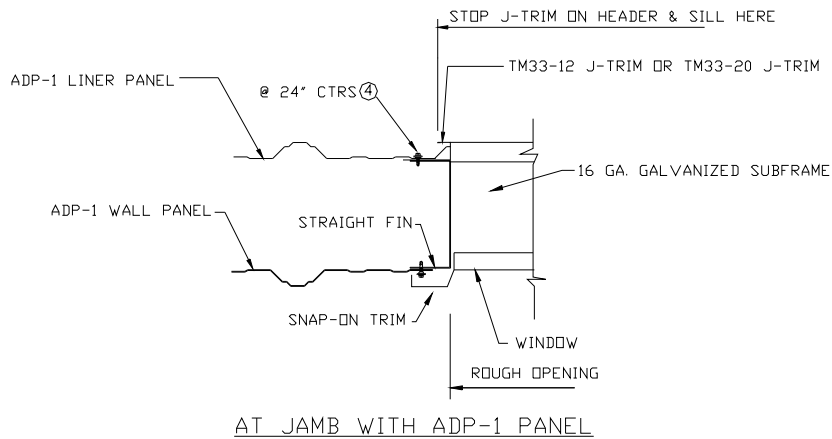
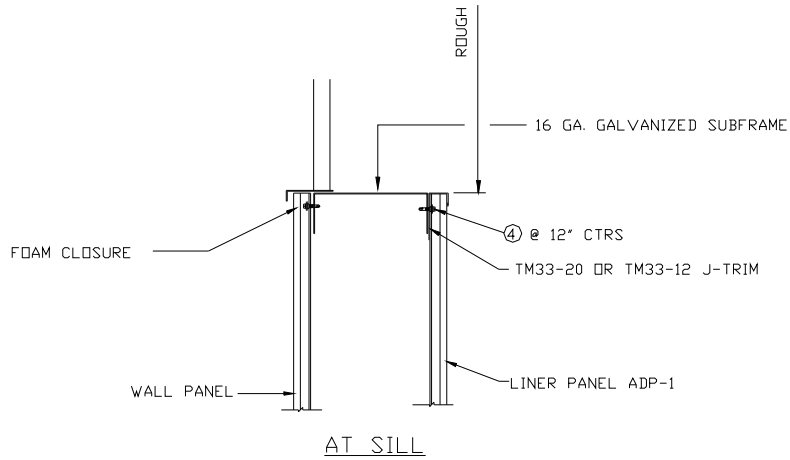
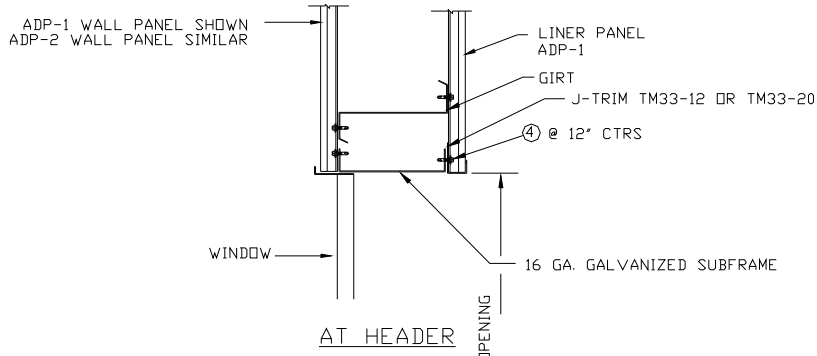


LINER AT RAKE - RAFTER OFFSET OF 4" OR 5"

LINER AT SELF-FRAMING WINDOW

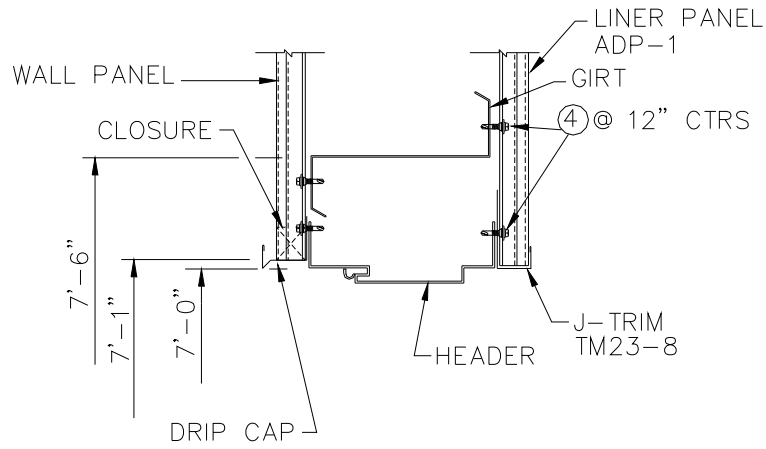


LINER AT PREASSEMBLED WINDOW

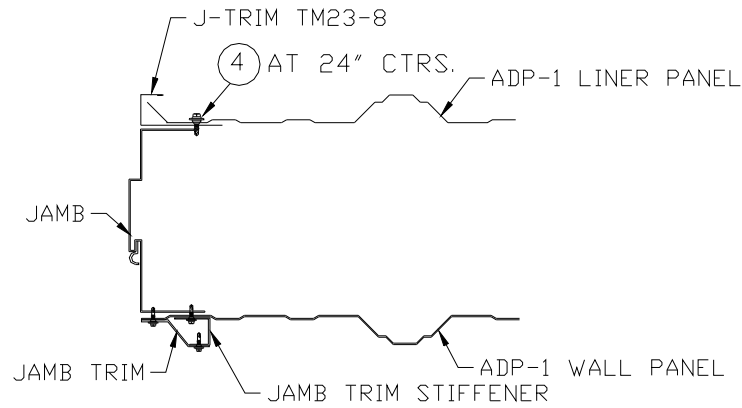


SECTION THRU JAMB WITH ADP-2 WALL PANEL
w/ADP-1 LINER PANEL

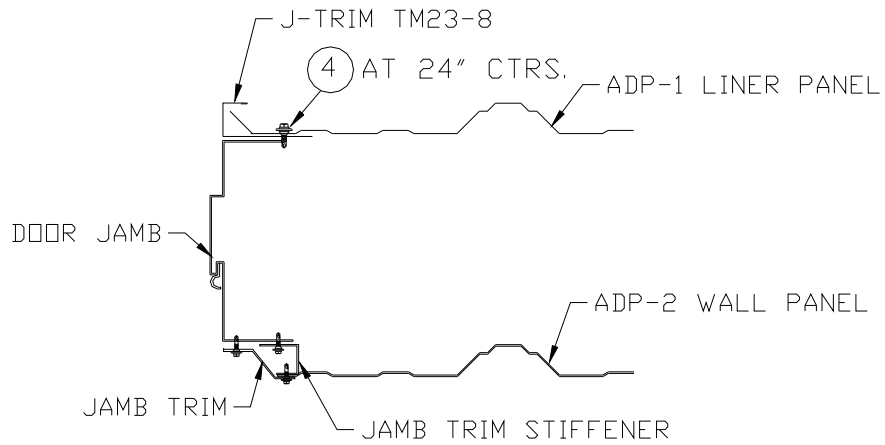
LINER AT KNOCK-DOWN DOOR



AT HEADER

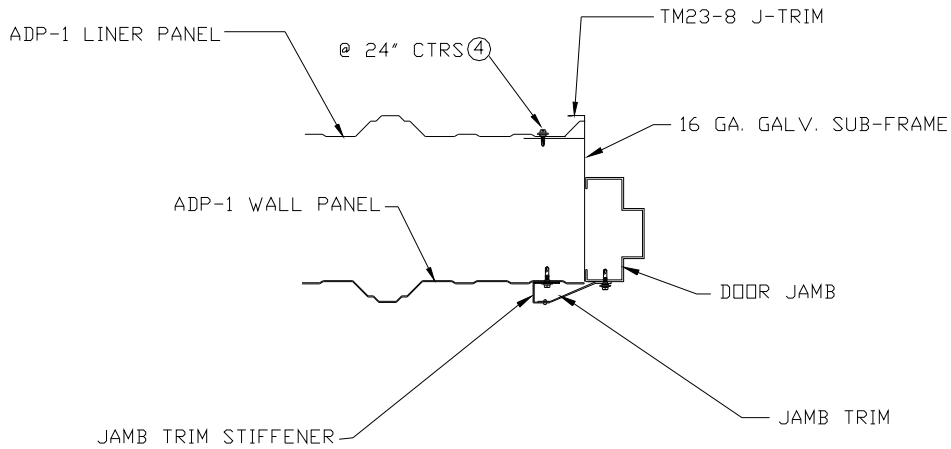
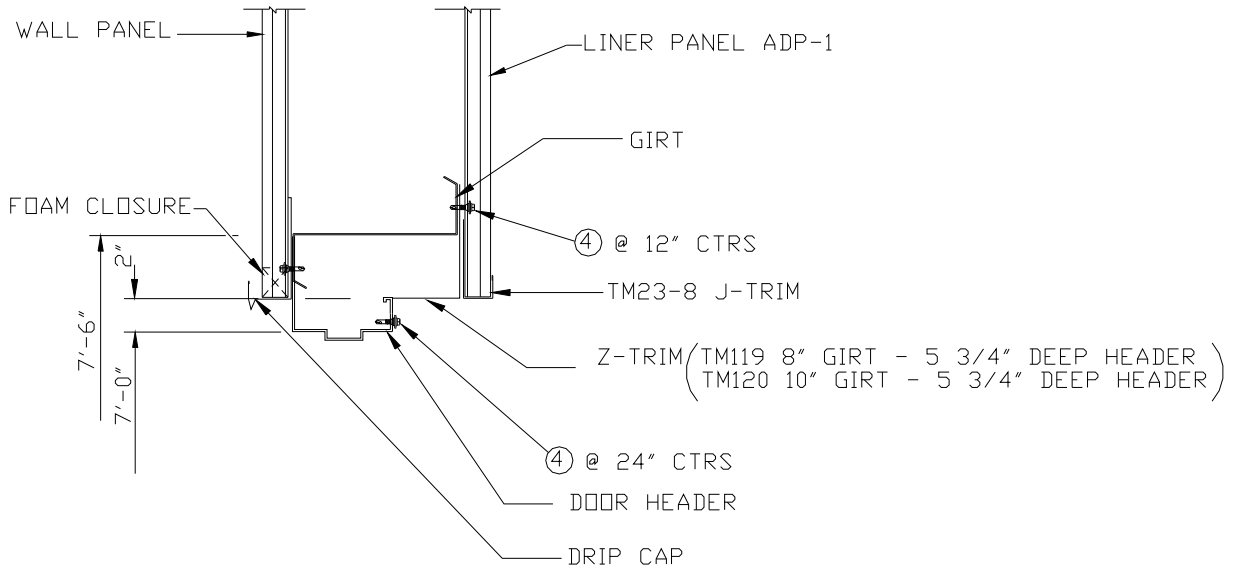


AT JAMB WITH ADP-1 WALL PANEL

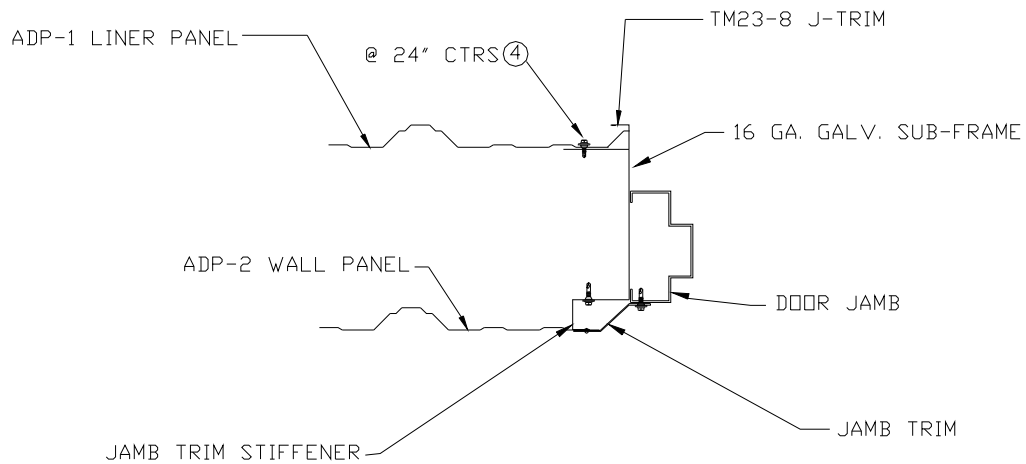


AT JAMB WITH ADP-2 WALL PANEL

LINER AT PREASSEMBLED DOOR

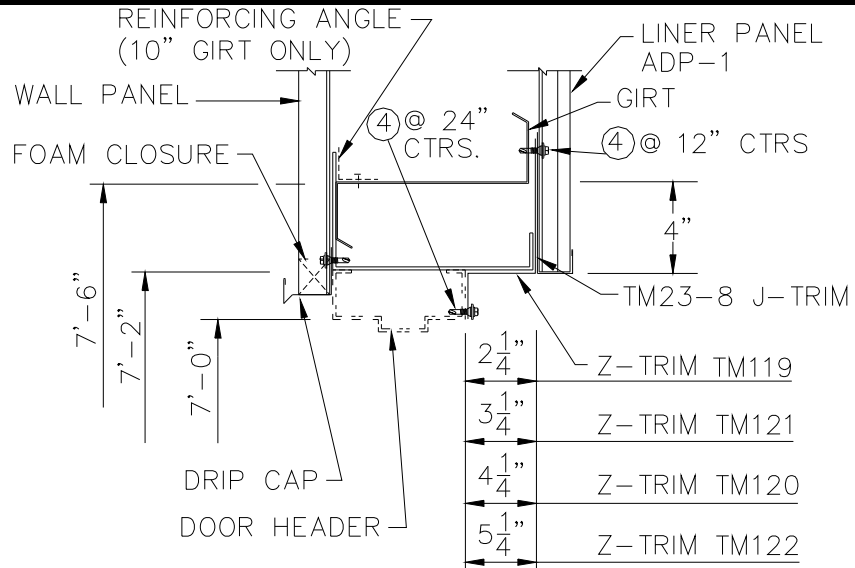


AT JAMB WITH ADP-1 PANEL

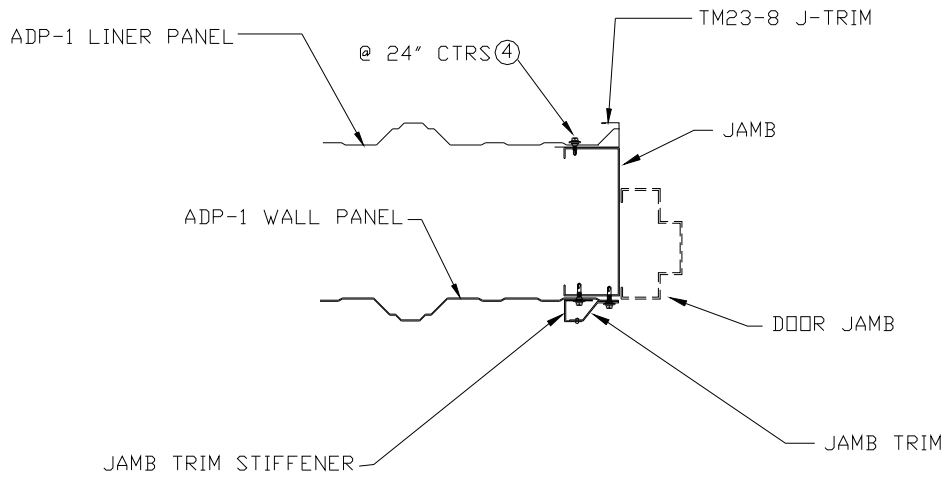


AT JAMB WITH ADP-2 WALL PANEL

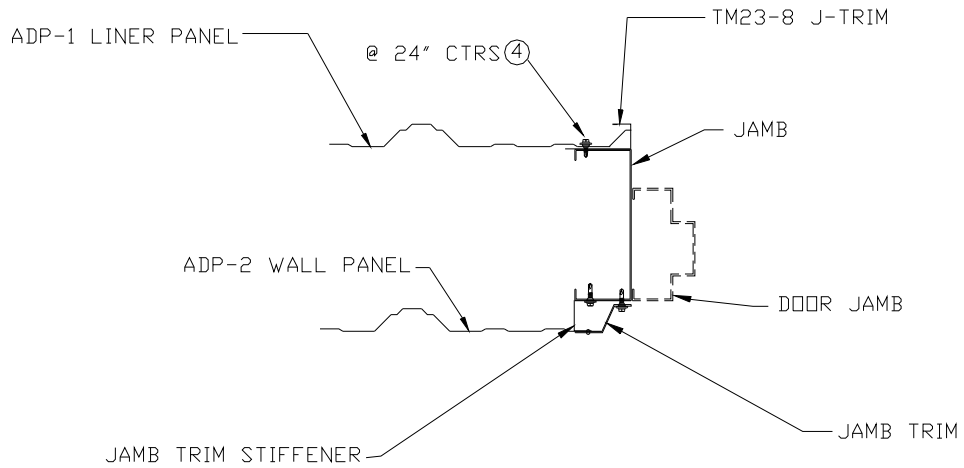
LINER AT WALK DOOR ROUGH FRAME



AT HEADER

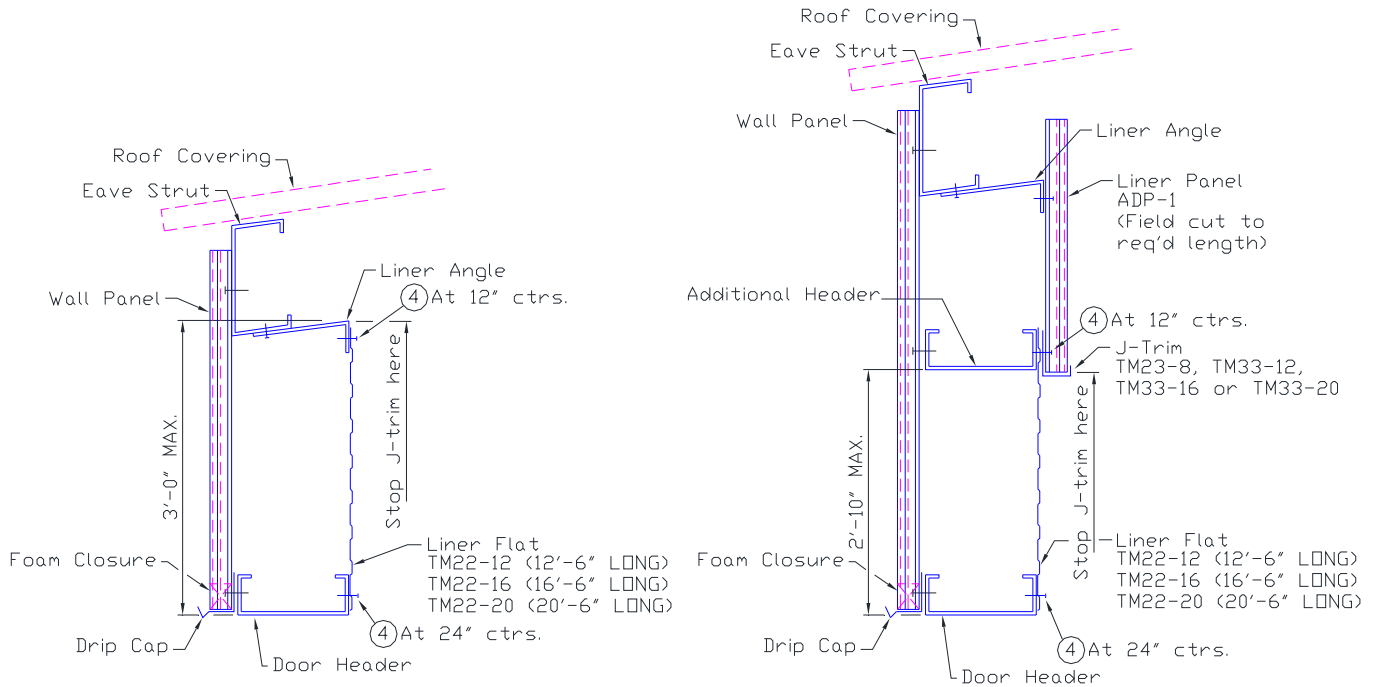


AT JAMB WITH ADP-1 WALL PANEL

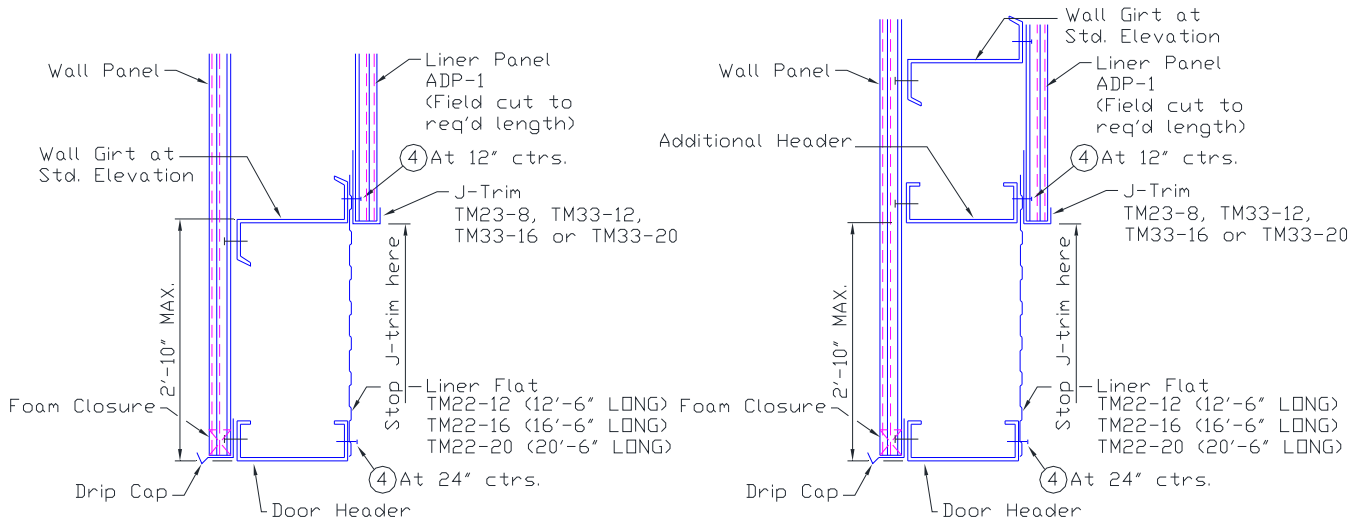


AT JAMB WITH ADP-2 WALL PANEL

LINER AT FRAMED OPENING

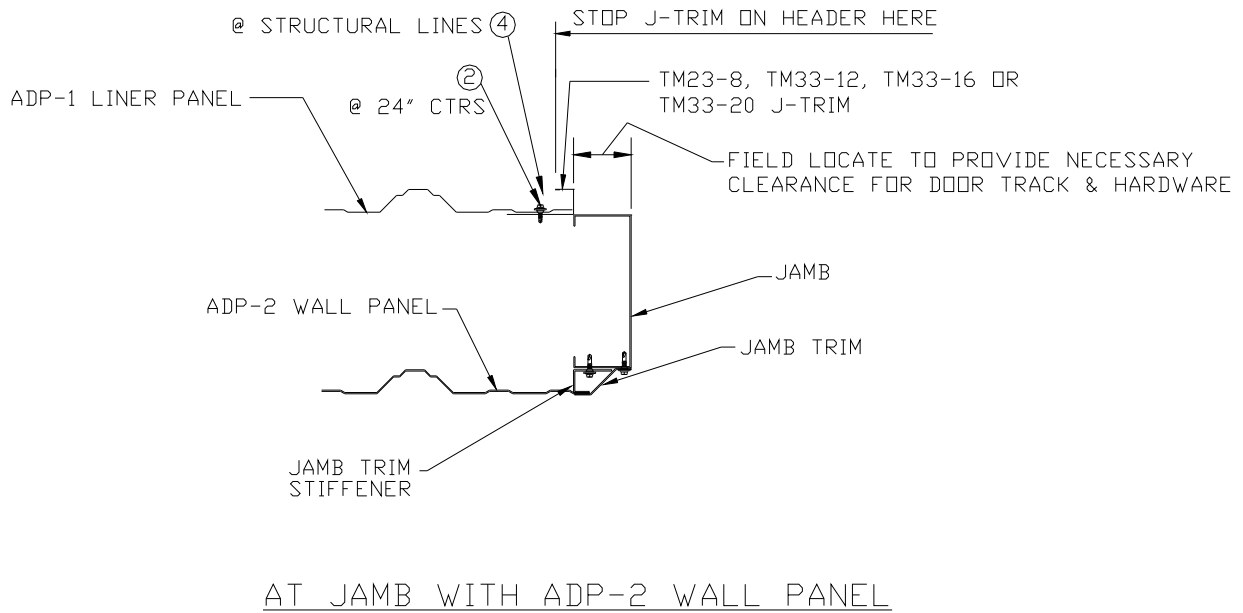
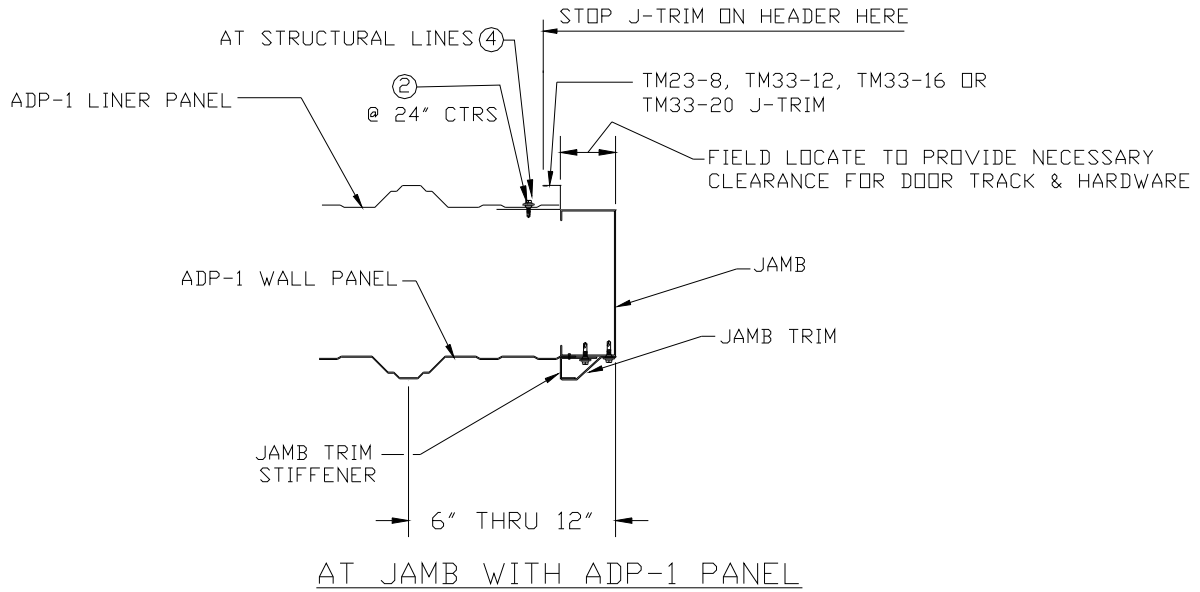


HEADERS NEAR EAVE STRUTS

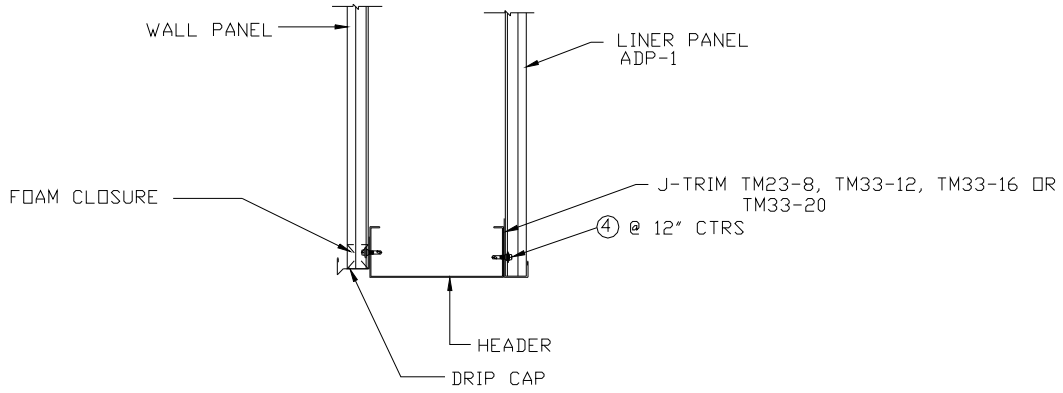


HEADERS BELOW SIDEWALL / ENDWALL GIRTS AT STANDARD ELEVATIONS

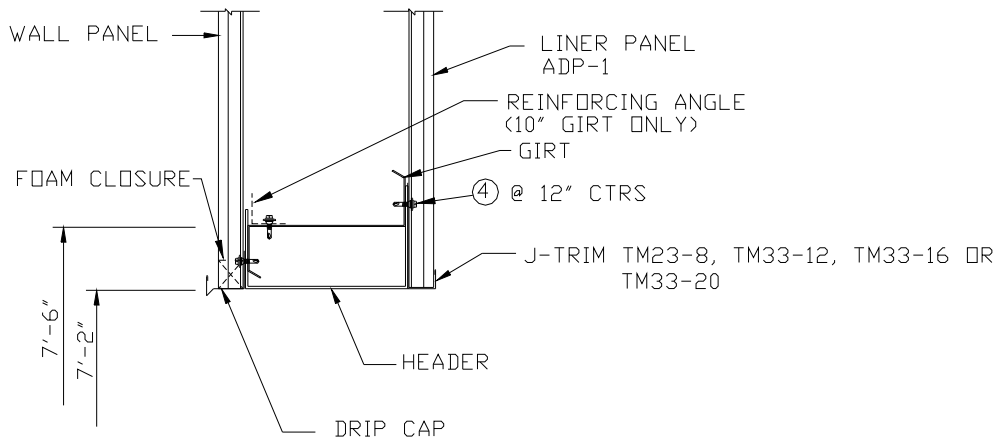
LINER AT FRAMED OPENING



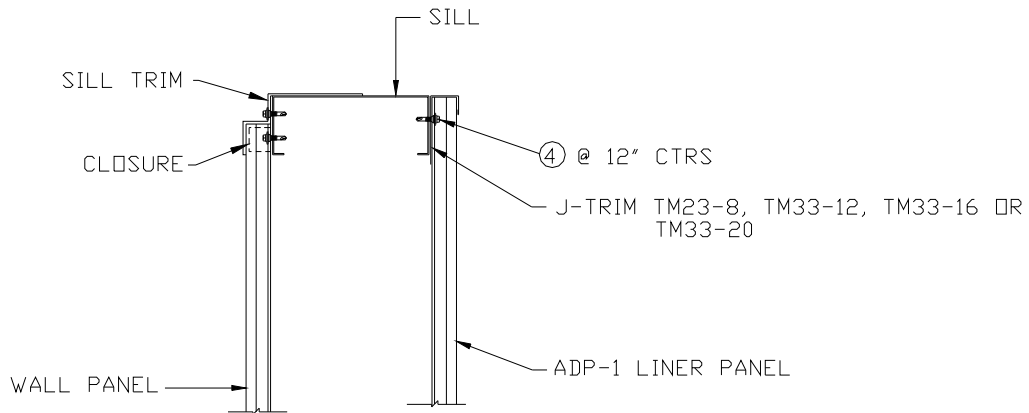
LINER AT FRAMED OPENING WITH SILL



AT HEADER

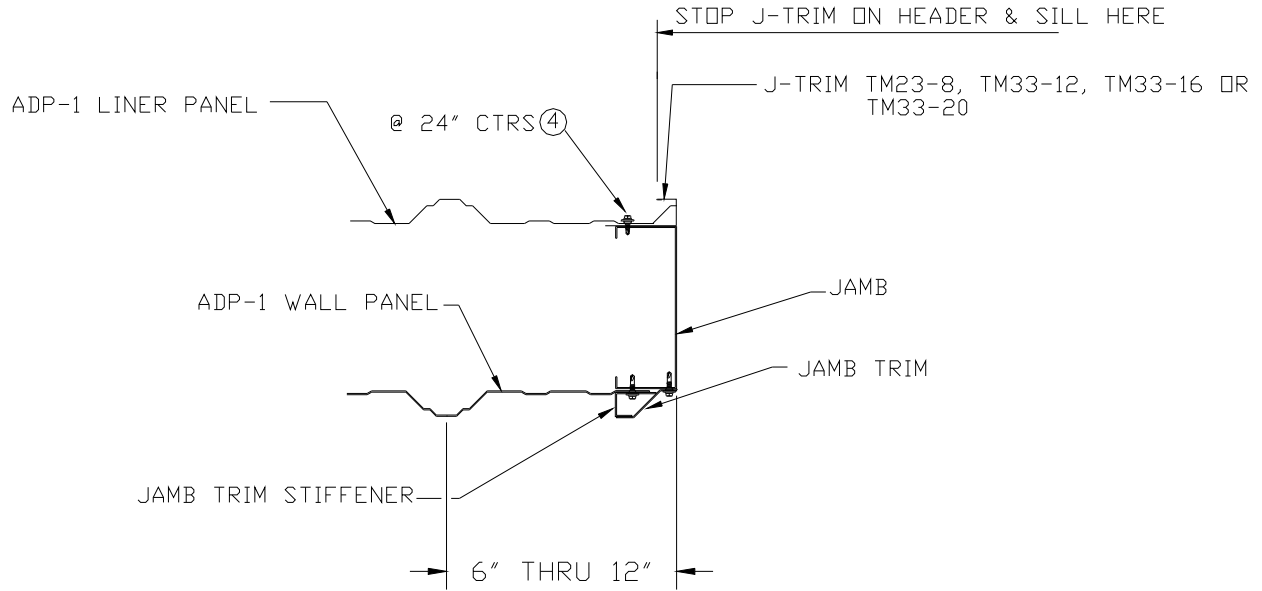


AT HEADER/GIRT

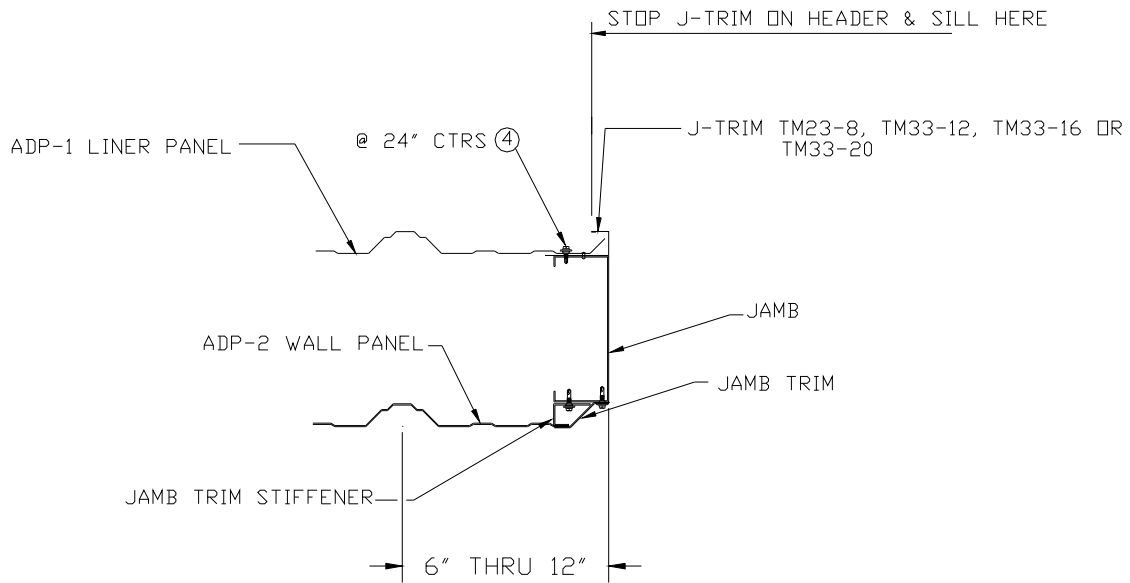


AT SILL

LINER AT FRAMED OPENING WITH SILL



AT JAMB WITH ADP-1 WALL PANEL



AT JAMB WITH ADP-2 WALL PANEL